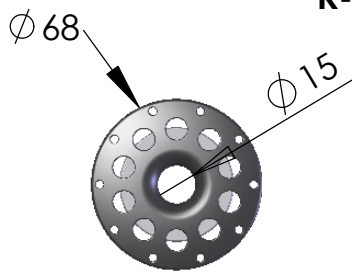
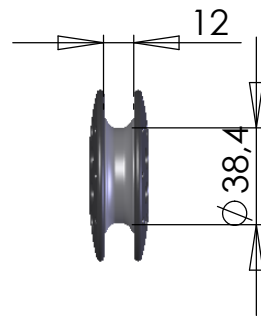


**K-BLOCK HIGH LOADS  
(friction bearings)**

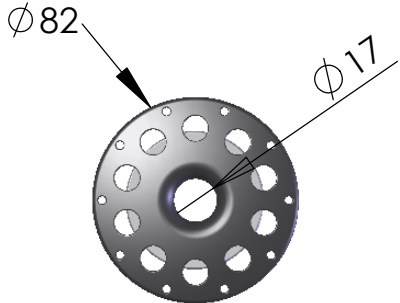
KB10 C



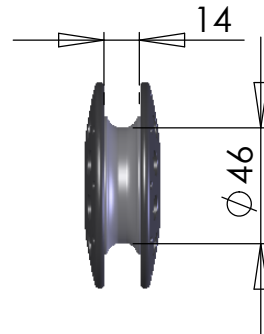
Weight: 91g  
WL: 1.9T



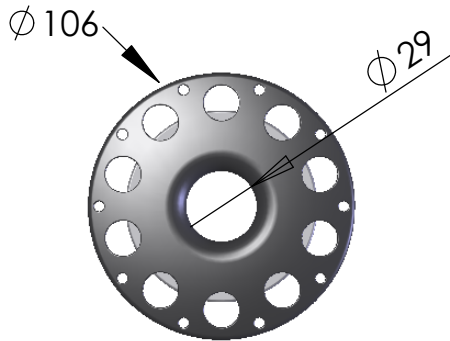
KB12 C



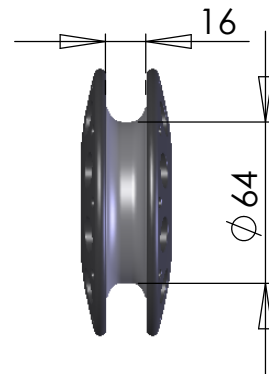
Weight: 180g  
WL:3T



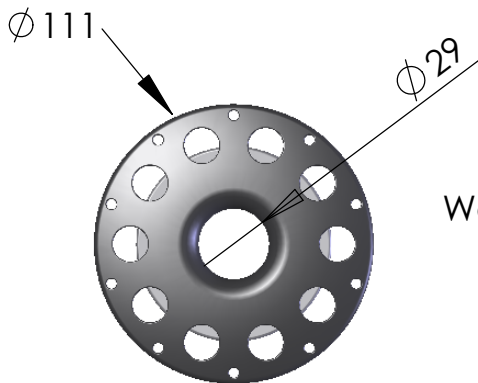
KB14 C



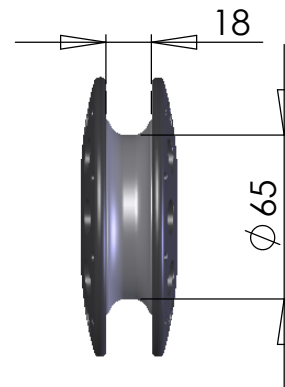
Weight: 355g  
WL:5T



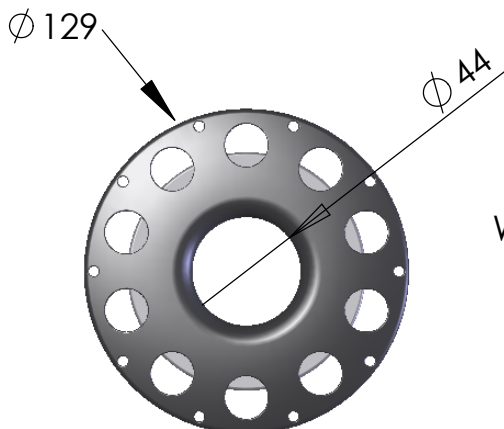
KB16 C



Weight: 409g  
WL:6T



KB18 C



Weight: 569g  
WL:7T

