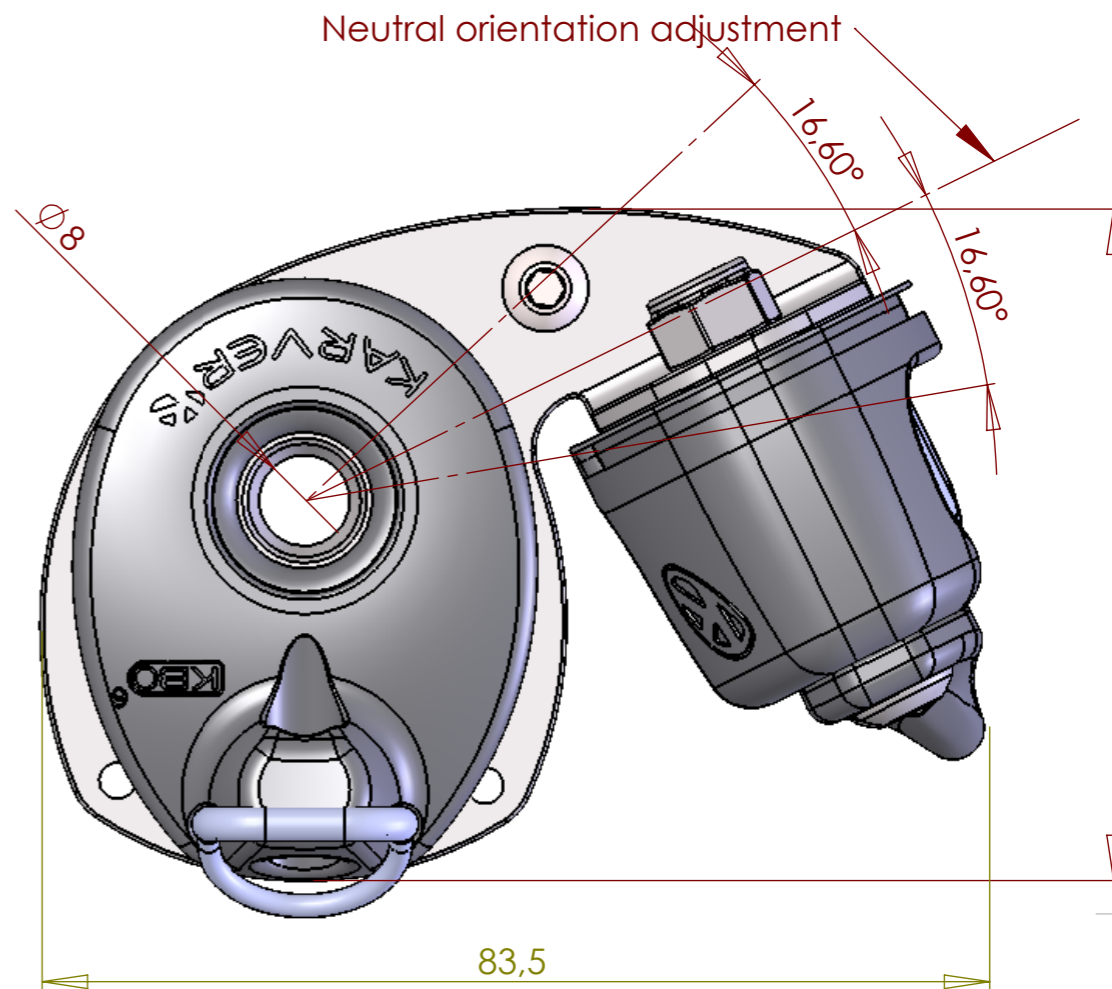


Textile shackle



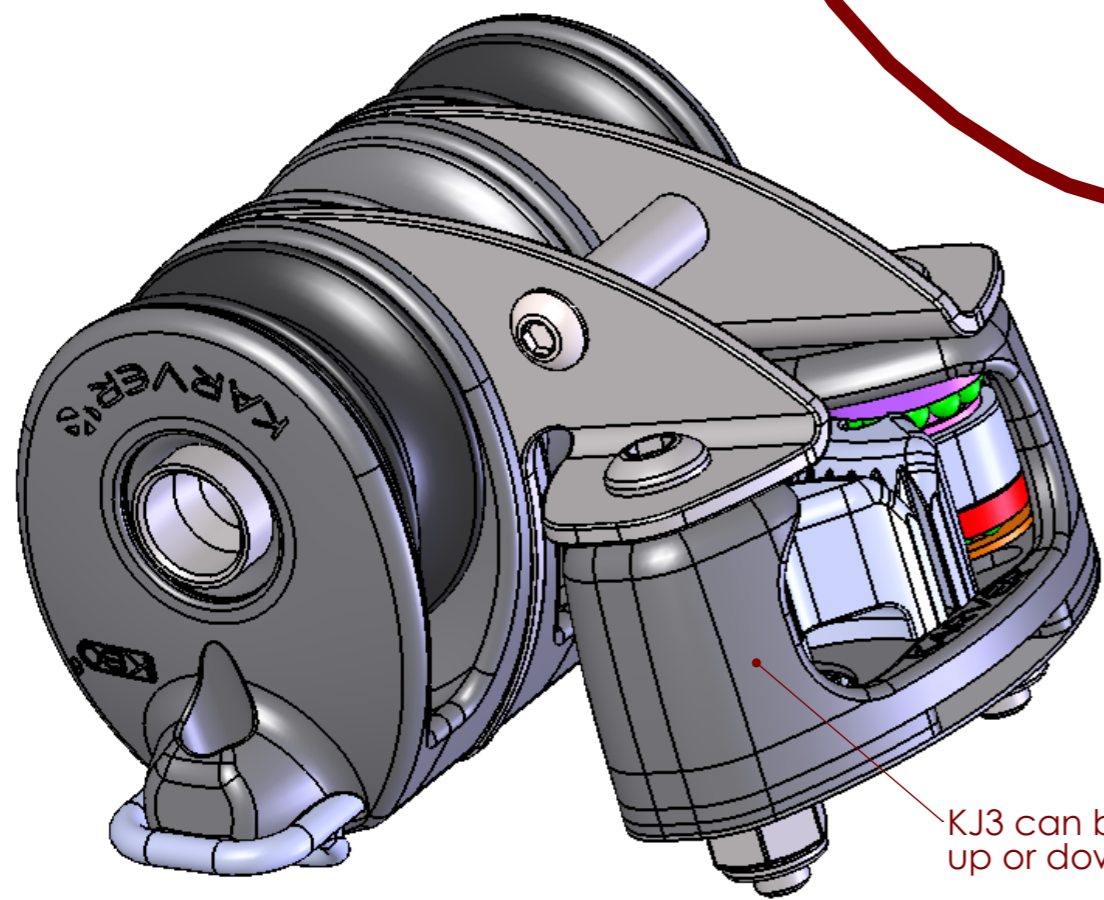
Neutral orientation adjustment

16,60°

16,60°

83,5

59,2



KJ3 can be installed up or down

MAX WORKING LOAD: 900Kg
TOTAL WEIGHT: 348g

DATE	MODIFICATIONS APORTEES	NOM	VISA	IND.
MATIERE ET ETAT	TOLERANCE GENERALE	EVOLUTION DU DOCUMENT		
TRAITEMENT; CARACTERISTIQUES MECANIKES	ETAT DE SURFACE GENERAL	DESS. PAR Le: M.C	MASSE	ECHELLE
FINITION	PROTECTION	FOLIO		
ATTACHEMENT	MATERIEL			
DESIGNATION	KBO6 TRIPLE CAM		www.karver-systems.com	
PRESENTATION	CODE PRODUIT K	CODE PIECE	FORMAT A3	