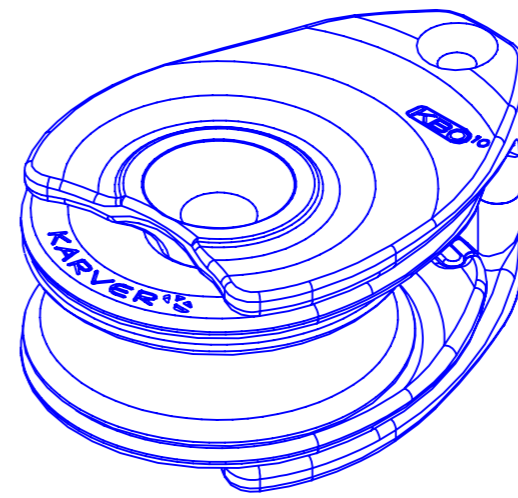



Total weight :
104g



Working load:1100Kg

DATE	MODIFICATIONS	NAME	VISA	IND.
MATERIAL		TOLERANCES unless stated		DOCUMENT EVOLUTION
MECHANICAL PROPERTIES		Ra unless stated		DRAWN BY M.C DATE
FINITION		PROTECTION		WEIGHT
ATTACHEMENT		FOLIO		SCALE
SUB TITLE		TITLE		 www.karver-systems.com
PRESENTATION		KBO10 foot block		
PRODUCT NUMBER K		PART NUMBER		SIZE A3