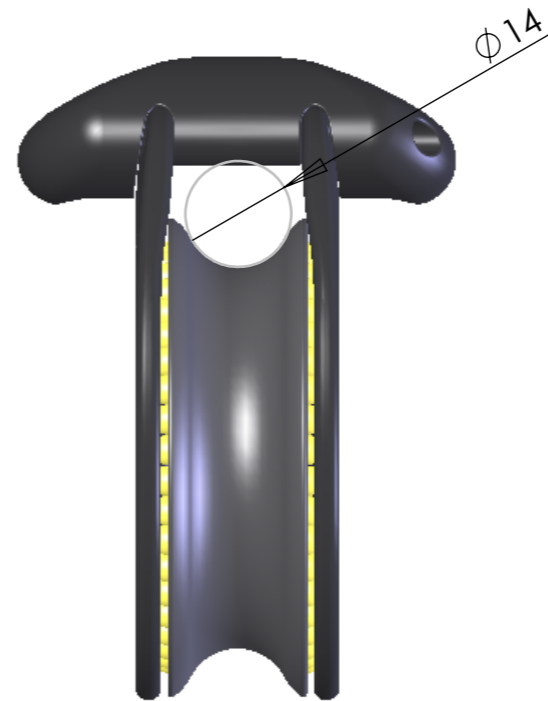
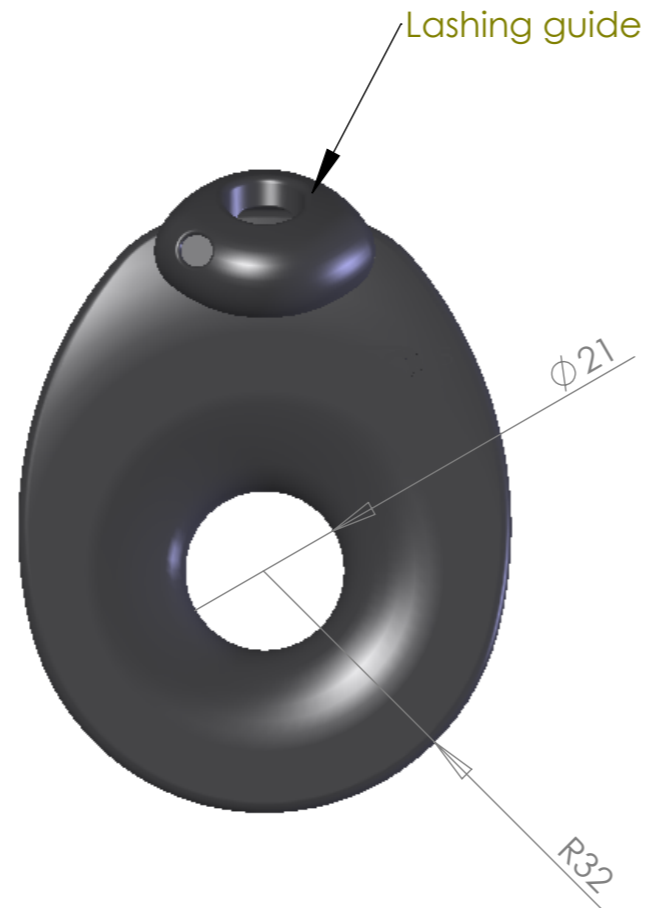
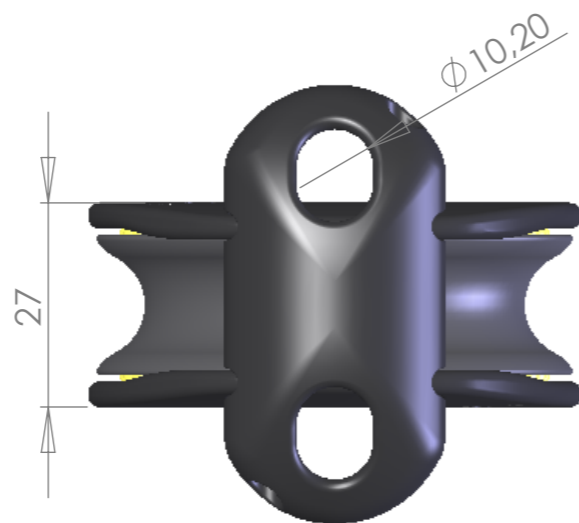


Weight without  
lashing guide:  
144g



Weight with  
lashing guide:  
165g



**Working load: 1600Kg**

DATE	MODIFICATIONS		NAME	VISA	IND.
MATERIAL		TOLERANCES unless stated	DOCUMENT EVOLUTION		
MECHANICAL PROPERTIES		Ra unless stated	DRAWN BY DATE M.C	WEIGHT	SCALE
FINITION		PROTECTION	FOLIO		
ATTACHEMENT		TITLE			
SUB TITLE		<p><b>KBO15</b></p>			
<p><b>PRESENTATION</b></p>		<p><b>PRODUCT NUMBER K</b></p>		<p><b>PART NUMBER</b></p>	
					<p>SIZE <b>A3</b></p>