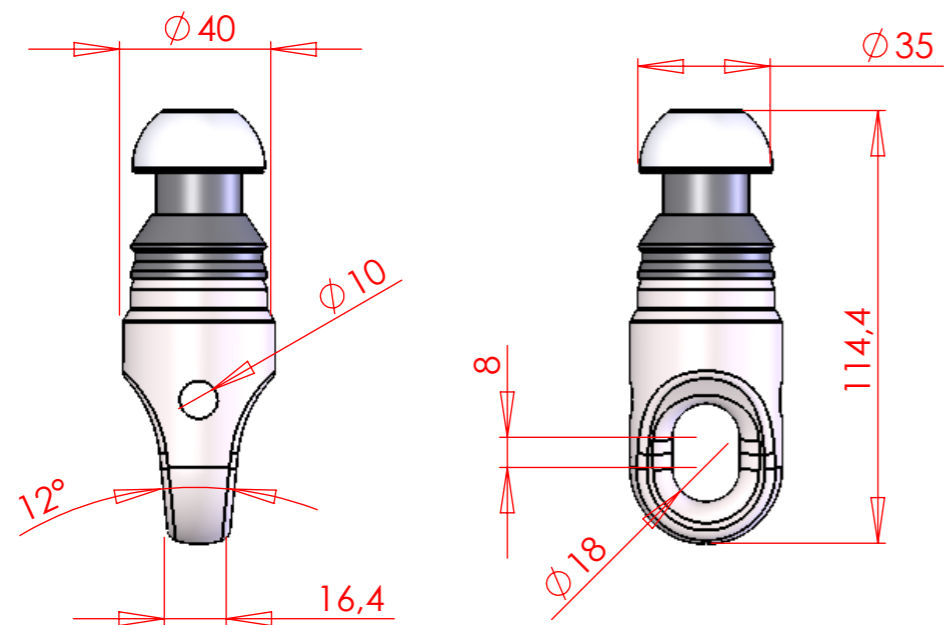
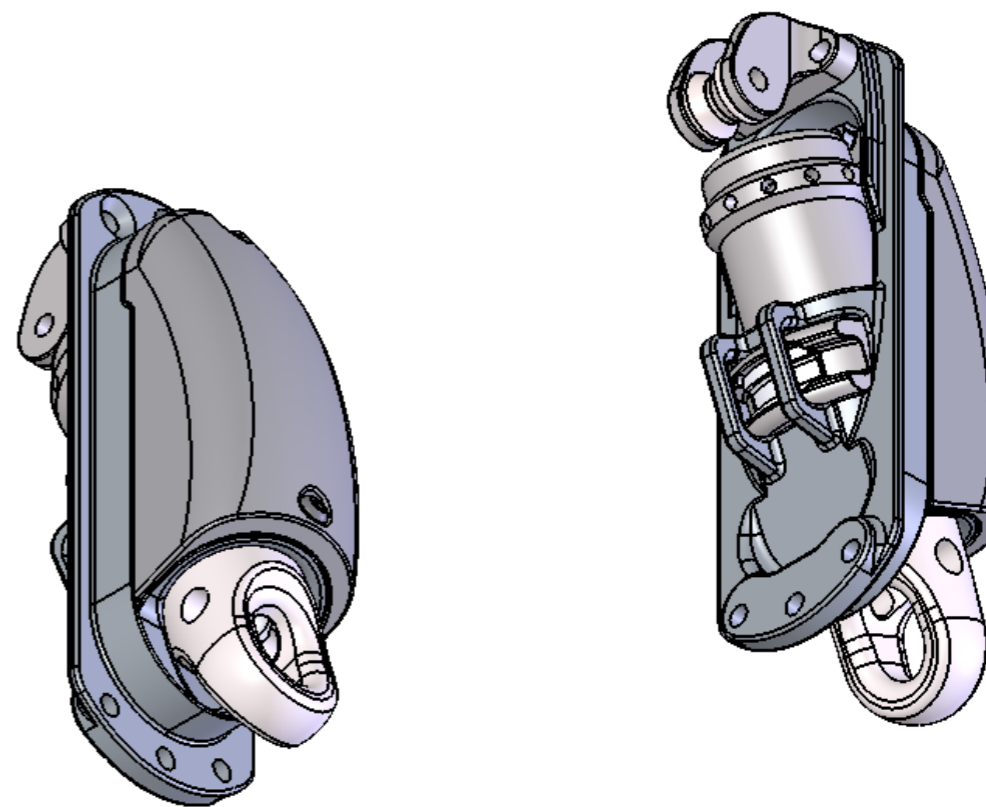


This plastic part can easily be removed for servicing.



Max working load: 8T Weight: 1.8 Kg

DATE	MODIFICATIONS APORTEES	NOM	VISA	IND.
MATIERE ET ETAT	TOLERANCE GENERALE	EVOLUTION DU DOCUMENT		
TRAITEMENT; CARACTERISTIQUES MECANQUES	ETAT DE SURFACE GENERAL	DESS. PAR Le: M.C	MASSE	ECHELLE
FINITION	PROTECTION	FOLIO		
ATTACHEMENT	MATERIEL			
DESIGNATION	KMH8 inox	PRESENTATION		
CODE PRODUIT	K	CODE PIECE		FORMAT A3