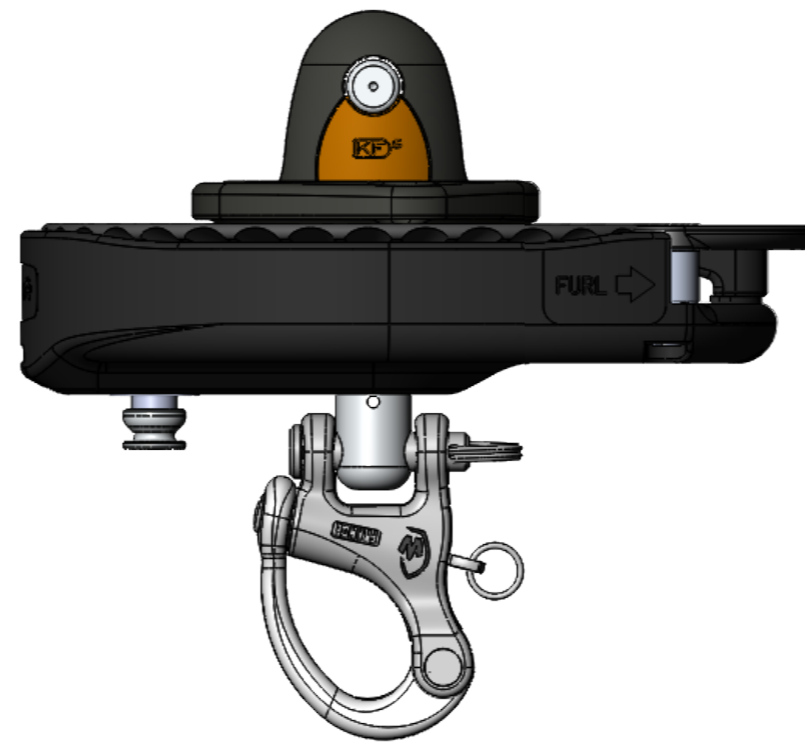



Drum only: 1539g
 Tourelle seule
 Snap Shackle: 261g
 Mousqueton
 Swivel only: 368g
 Emerillon seul
 Shackle: 103g
 Manille
 Furling line ϕ : 10mm
 Drosse



DATE	VERSION	MATERIAL	WEIGHT	SCALE
18/05/2017	V1	Stainless steel /Alu Acier inoxydable / Alu	2271g	1/3
MODEL		SAFE WORKING LOAD CHARGE DE TRAVAIL	 www.karver-systems.com	FORMAT A4
KSF5		BREAKING LOAD CHARGE DE RUPTURE		
PART NUMBER: PF080000 [SPI]			MORE INFOS ON WWW.KARVER-SYSTEMS.COM	