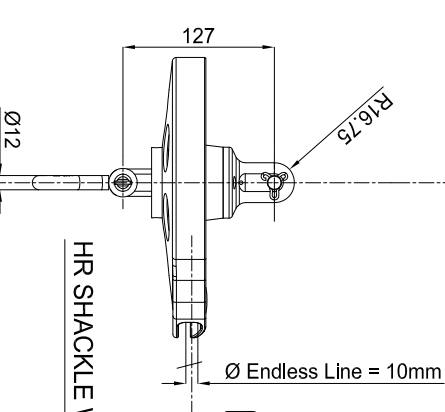
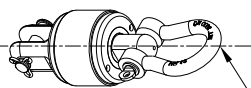
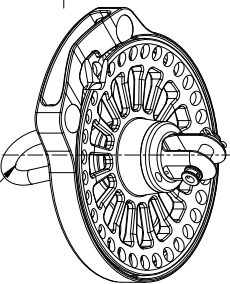


EYE OPTIONAL

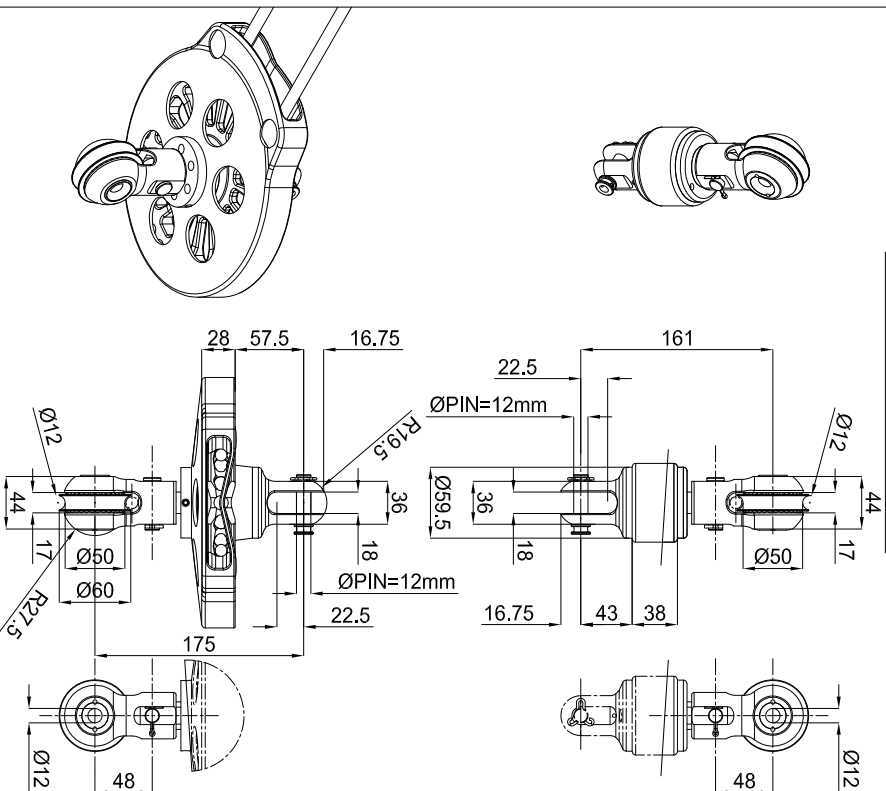
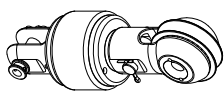
HR SHACKLE WICHARD HR12



HR SHACKLE WICHARD HR12



BLOCK OPTIONAL



PRELIMINARY

TECHNICAL DATA

MAX WORKING LOAD	5000 Kg
Ø PIN	12 mm
Ø ENDLESS LINE	9 - 12 mm
DRUM WEIGHT	APPROX 2.1 KG
SWIVEL WEIGHT	APPROX 0.8 KG
SHACKLES WEIGHT	APPROX 0.2 KG
BLOCK WEIGHT (OPTIONAL)	APPROX 0.3 KG

TECHNICAL DATA AND ILLUSTRATION ARE INDICATIVE AND NOT BINDING

MATERIALS NOTE: DRUM AND SWIVEL BODY ERGAL NATURAL ANODIZED ALU, CAGE BLACK HARDCOAT ANODIZED (OPTIONAL CARBON), PINS & EYE POLISHED S.S.

REV.	DESCRIPTIONE MODIFICA - MODIFY DESCRIPTION	DATA - DATE	APPROVATO - APPROVED
A	FIRST ISSUE	19-02-2013	D.R.
<p>Descrizione - Description LAYOUT RL G-CODE 20 EVO DRUM + HALYARD SWIVEL</p> <p>Descrizione - Description LAYOUT RL G-CODE 20 EVO DRUM + HALYARD SWIVEL</p> <p>Disegno n° - Drawing n° 80106361 + 80106345</p> <p>Disegnatore-Drafter Danilo RIZZO</p> <p>Approvato - Approved by: RIZZO D.</p> <p>Data-Date 17-05-2012</p>			
<p>Dimensioni-Dimensions Dimensioni-Dimensions, materiali raw</p> <p>Trattamento-Treatment Passo-Weight (Kg) Q14-Q1V</p> <p>Dimensioni-Dimensions Dimensioni-Dimensions, materiali raw</p> <p>Trattamento-Treatment Passo-Weight (Kg) Q14-Q1V</p> <p>Dimensioni-Dimensions Dimensioni-Dimensions, materiali raw</p> <p>Trattamento-Treatment Passo-Weight (Kg) Q14-Q1V</p>			
<p>Scale-Scala 1:1</p> <p>UNI A1</p>			



Soluzioni Meccaniche



Certified Quality System ISO 9001:2008

Soluzioni Meccaniche s.r.l. si riserva i termini di legge la proprietà di questo disegno, con divieto di riprodurlo o di renderlo comunque noto a terzi senza la specifica approvazione Soluzioni Meccaniche s.r.l. Holds the legal proprietary rights of this drawing. Unauthorized reproduction or disclosure of the drawing to third parties is forbidden