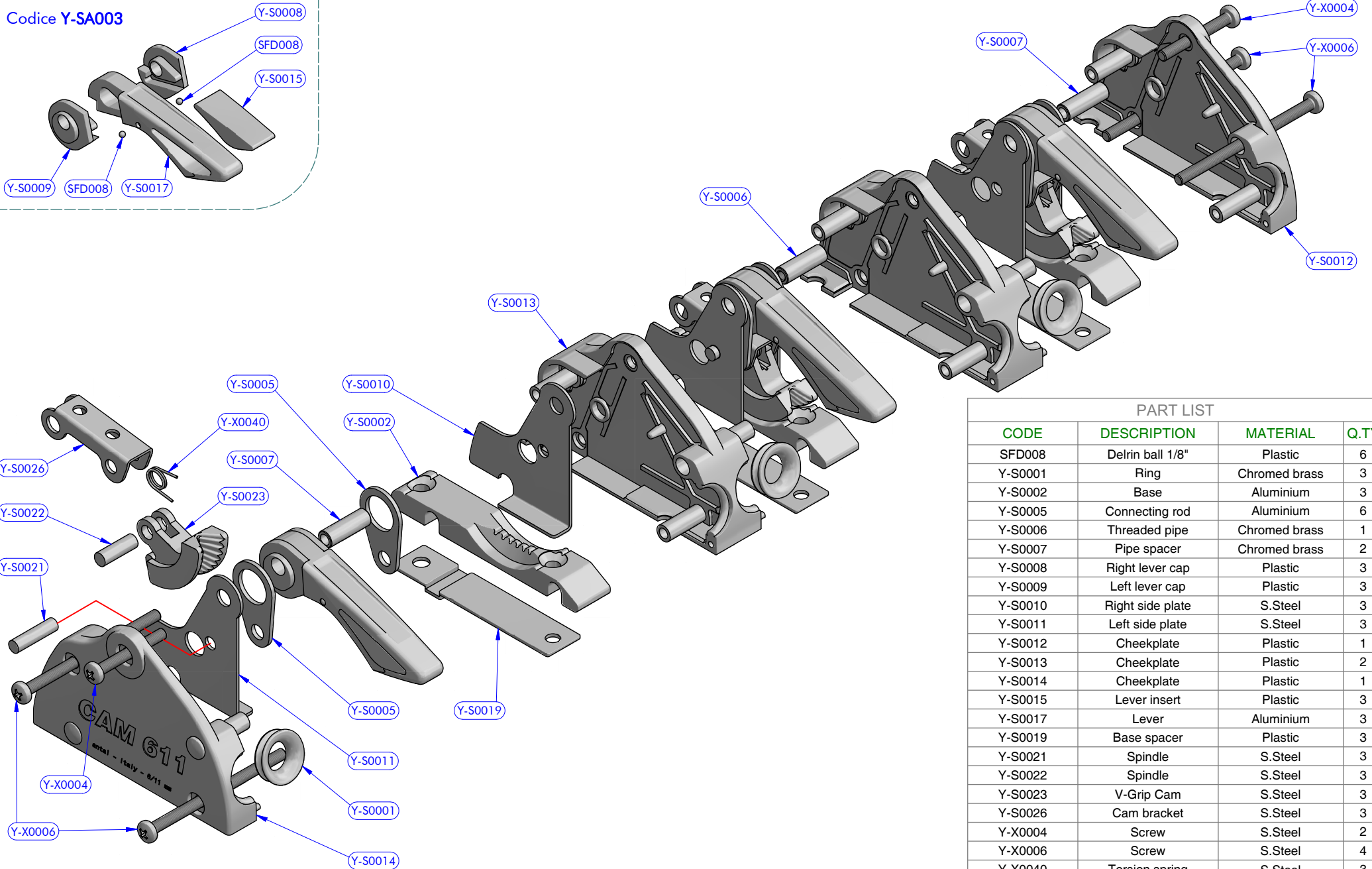
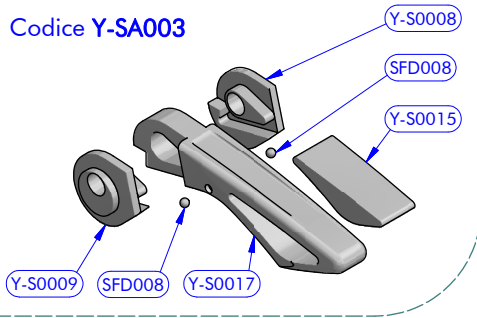


Codice Y-SA003



PART LIST			
CODE	DESCRIPTION	MATERIAL	Q.TY
SFD008	Delrin ball 1/8"	Plastic	6
Y-S0001	Ring	Chromed brass	3
Y-S0002	Base	Aluminium	3
Y-S0005	Connecting rod	Aluminium	6
Y-S0006	Threaded pipe	Chromed brass	1
Y-S0007	Pipe spacer	Chromed brass	2
Y-S0008	Right lever cap	Plastic	3
Y-S0009	Left lever cap	Plastic	3
Y-S0010	Right side plate	S.Steel	3
Y-S0011	Left side plate	S.Steel	3
Y-S0012	Cheekplate	Plastic	1
Y-S0013	Cheekplate	Plastic	2
Y-S0014	Cheekplate	Plastic	1
Y-S0015	Lever insert	Plastic	3
Y-S0017	Lever	Aluminium	3
Y-S0019	Base spacer	Plastic	3
Y-S0021	Spindle	S.Steel	3
Y-S0022	Spindle	S.Steel	3
Y-S0023	V-Grip Cam	S.Steel	3
Y-S0026	Cam bracket	S.Steel	3
Y-X0004	Screw	S.Steel	2
Y-X0006	Screw	S.Steel	4
Y-X0040	Torsion spring	S.Steel	3

<b>antal</b>	CAM 611 series	Clutch	<b>540.130</b>	04/06/2019	00
	FAMILY	ARTICLE		DATE	REV.
DESCRIPTION	Exploded view		MODEL CODE	DWG N. 19060406	PG. 1 / 1