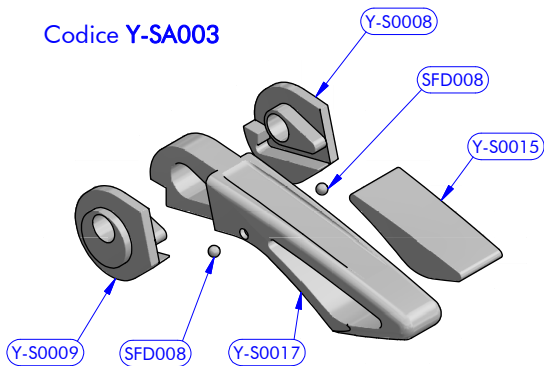


PART LIST

CODE	DESCRIPTION	MATERIAL	Q.TY
SFD008	Delrin ball 1/8"	Plastic	2
Y-S0001	Ring	Chromed brass	1
Y-S0002	Base	Aluminium	1
Y-S0005	Connecting rod	Aluminium	2
Y-S0006	Threaded pipe	Chromed brass	1
Y-S0008	Right lever cap	Plastic	1
Y-S0009	Left lever cap	Plastic	1
Y-S0010	Right side plate	S.Steel	1
Y-S0011	Left side plate	S.Steel	1
Y-S0012	Cheekplate	Plastic	1
Y-S0014	Cheekplate	Plastic	1
Y-S0015	Lever insert	Plastic	1
Y-S0017	Lever	Aluminium	1
Y-S0019	Base spacer	Plastic	1
Y-S0021	Spindle	S.Steel	1
Y-S0022	Spindle	S.Steel	1
Y-S0023	V-Grip Cam	S.Steel	1
Y-S0026	Cam bracket	S.Steel	1
Y-X0001	Screw	S.Steel	2
Y-X0003	Screw	S.Steel	4
Y-X0040	Torsion spring	S.Steel	1

Codice Y-SA003



V-Cam 611 Series		Clutch	04/06/2019	00
FAMILY	ARTICLE	540.110	DATE	REV.
Exploded view			MODEL CODE	19060311
DESCRIPTION		DWG N.	PG.	