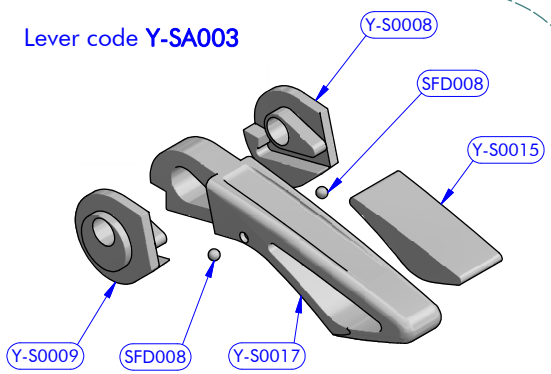


PART LIST			
CODE	DESCRIPTION	MATERIAL	Q.TY
SFD008	Delrin ball 1/8"	Plastic	4
Y-S0001	Ring	Chromed brass	2
Y-S0002	Base	Aluminium	2
Y-S0005	Connecting rod	Aluminium	4
Y-S0006	Threaded pipe	Chromed brass	1
Y-S0007	Pipe spacer	Chromed brass	1
Y-S0008	Right lever cap	Plastic	2
Y-S0009	Left lever cap	Plastic	2
Y-S0010	Right side plate	S.Steel	2
Y-S0011	Left side plate	S.Steel	2
Y-S0012	Cheekplate	Plastic	1
Y-S0013	Cheekplate	Plastic	1
Y-S0014	Cheekplate	Plastic	1
Y-S0015	Lever insert	Plastic	2
Y-S0017	Lever	Aluminium	2
Y-S0019	Base spacer	Plastic	2
Y-S0021	Spindle	S.Steel	2
Y-S0022	Spindle	S.Steel	2
Y-S0023	V-Grip Cam	S.Steel	2
Y-S0026	Cam bracket	S.Steel	2
Y-S0325	Screw	S.Steel	4
Y-X0001	Screw	S.Steel	1
Y-X0004	Screw	S.Steel	1
Y-X0040	Torsion spring	S.Steel	2

Lever code Y-SA003



V-Cam 611 Series		Clutch		04/06/2019		00	
FAMILY	ARTICLE	540.120		DATE	REV.	1 / 1	
Exploded view				19060404	PG.		
DESCRIPTION		MODEL CODE	DWG N.		PG.		