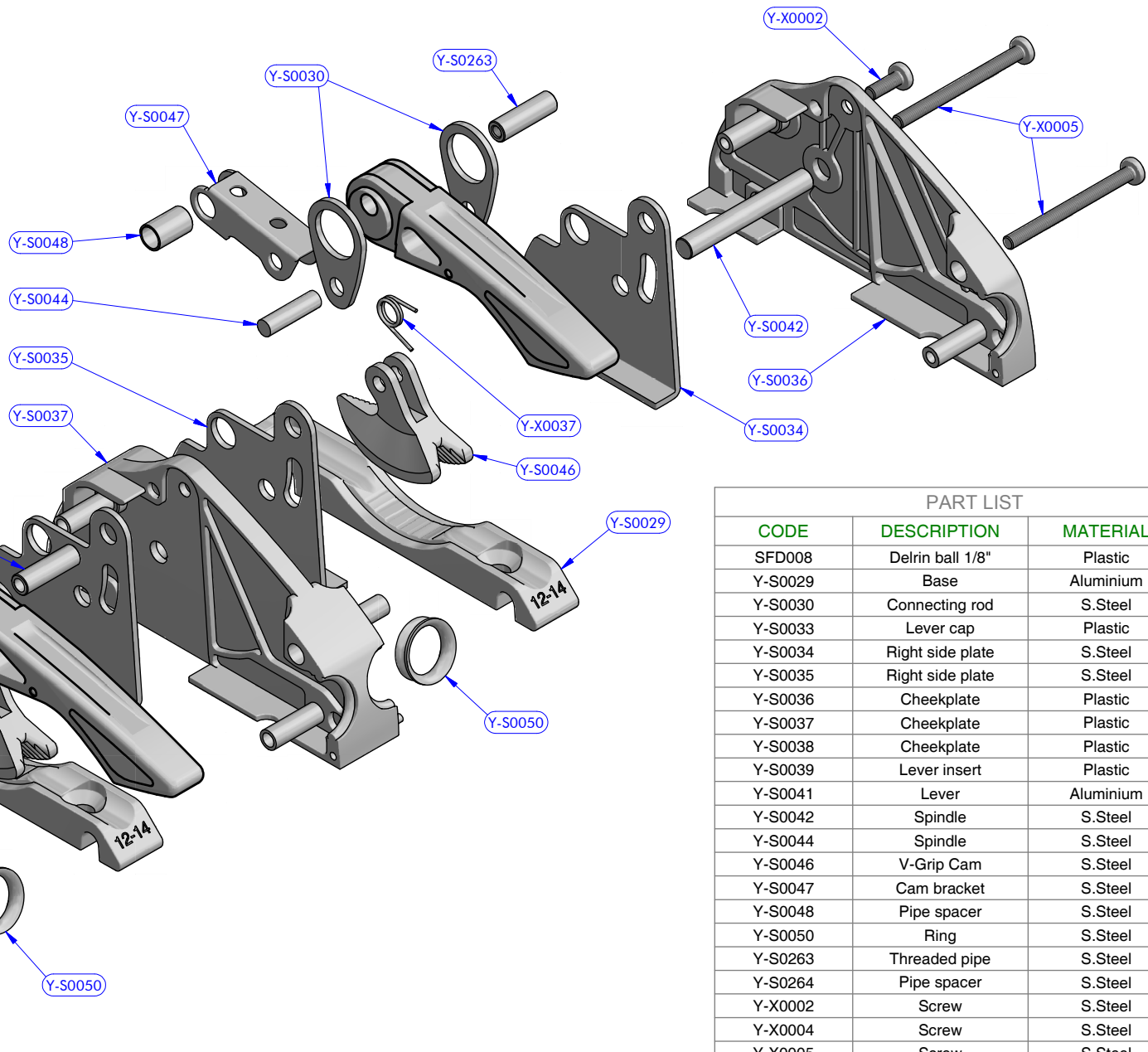


Lever mod. Y-SA002



PART LIST

CODE	DESCRIPTION	MATERIAL	Q.TY
SFD008	Delrin ball 1/8"	Plastic	4
Y-S0029	Base	Aluminium	2
Y-S0030	Connecting rod	S.Steel	4
Y-S0033	Lever cap	Plastic	2
Y-S0034	Right side plate	S.Steel	2
Y-S0035	Right side plate	S.Steel	2
Y-S0036	Cheekplate	Plastic	1
Y-S0037	Cheekplate	Plastic	1
Y-S0038	Cheekplate	Plastic	1
Y-S0039	Lever insert	Plastic	2
Y-S0041	Lever	Aluminium	2
Y-S0042	Spindle	S.Steel	1
Y-S0044	Spindle	S.Steel	2
Y-S0046	V-Grip Cam	S.Steel	2
Y-S0047	Cam bracket	S.Steel	2
Y-S0048	Pipe spacer	S.Steel	2
Y-S0050	Ring	S.Steel	2
Y-S0263	Threaded pipe	S.Steel	1
Y-S0264	Pipe spacer	S.Steel	1
Y-X0002	Screw	S.Steel	1
Y-X0004	Screw	S.Steel	1
Y-X0005	Screw	S.Steel	4
Y-X0037	Torsion spring	S.Steel	2



V-Cam 814 Series Double version
 FAMILY ARTICLE
 DESCRIPTION Exploded view

549.123
 MODEL CODE

25/06/2019 00
 DATE REV.
 19062501 1 / 1
 DWG N. PG.