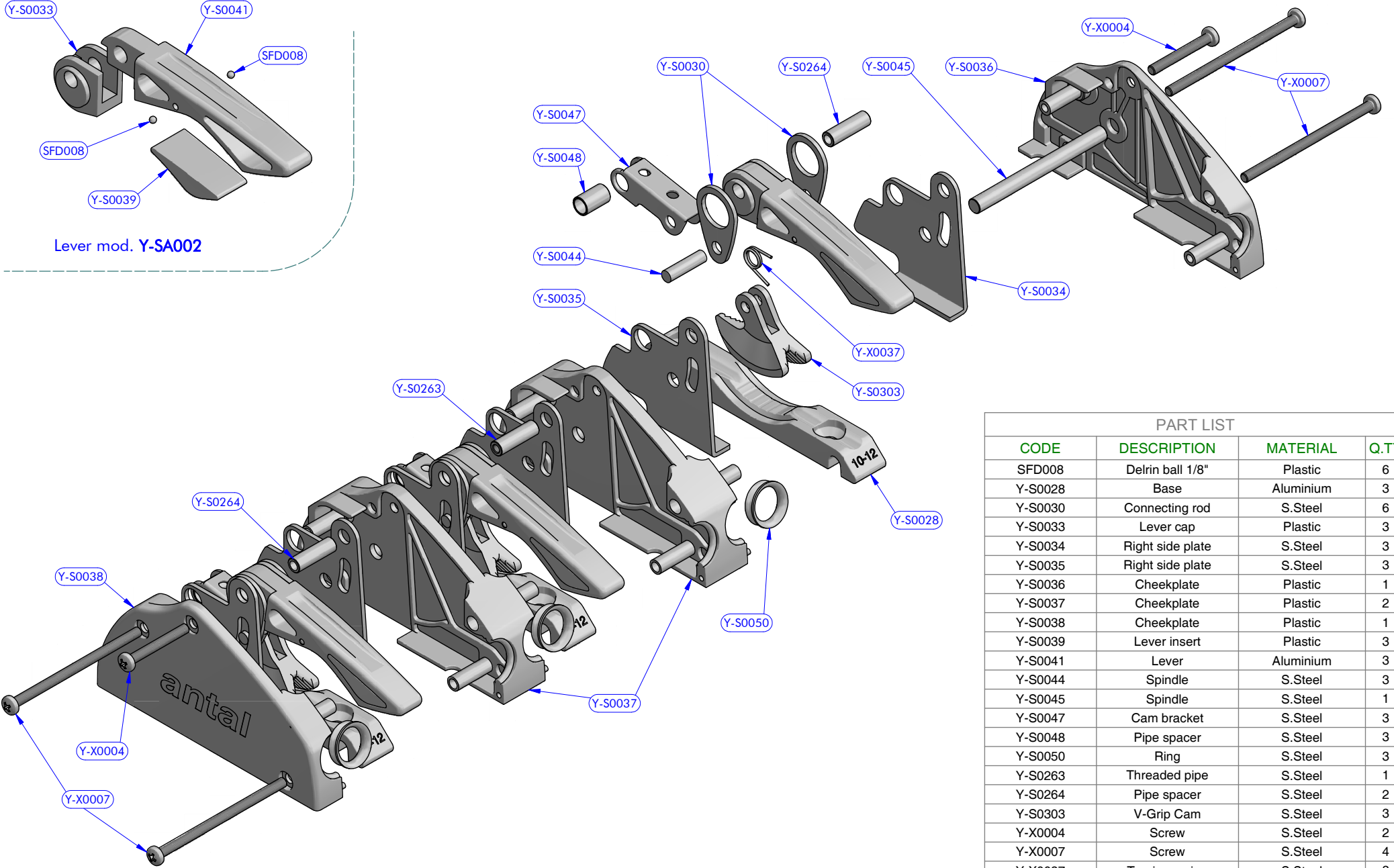


Lever mod. Y-SA002



PART LIST

CODE	DESCRIPTION	MATERIAL	Q.TY
SFD008	Delrin ball 1/8"	Plastic	6
Y-S0028	Base	Aluminium	3
Y-S0030	Connecting rod	S.Steel	6
Y-S0033	Lever cap	Plastic	3
Y-S0034	Right side plate	S.Steel	3
Y-S0035	Right side plate	S.Steel	3
Y-S0036	Cheekplate	Plastic	1
Y-S0037	Cheekplate	Plastic	2
Y-S0038	Cheekplate	Plastic	1
Y-S0039	Lever insert	Plastic	3
Y-S0041	Lever	Aluminium	3
Y-S0044	Spindle	S.Steel	3
Y-S0045	Spindle	S.Steel	1
Y-S0047	Cam bracket	S.Steel	3
Y-S0048	Pipe spacer	S.Steel	3
Y-S0050	Ring	S.Steel	3
Y-S0263	Threaded pipe	S.Steel	1
Y-S0264	Pipe spacer	S.Steel	2
Y-S0303	V-Grip Cam	S.Steel	3
Y-X0004	Screw	S.Steel	2
Y-X0007	Screw	S.Steel	4
Y-X0037	Torsion spring	S.Steel	3

	V-Cam 814 Series	Triple version	<b>549.132</b>	25/06/2019	00
	FAMILY	ARTICLE		MODEL CODE	DATE
Exploded view			<b>19062504</b>	1 / 1	1 / 1
DESCRIPTION				DWG N.	PG.