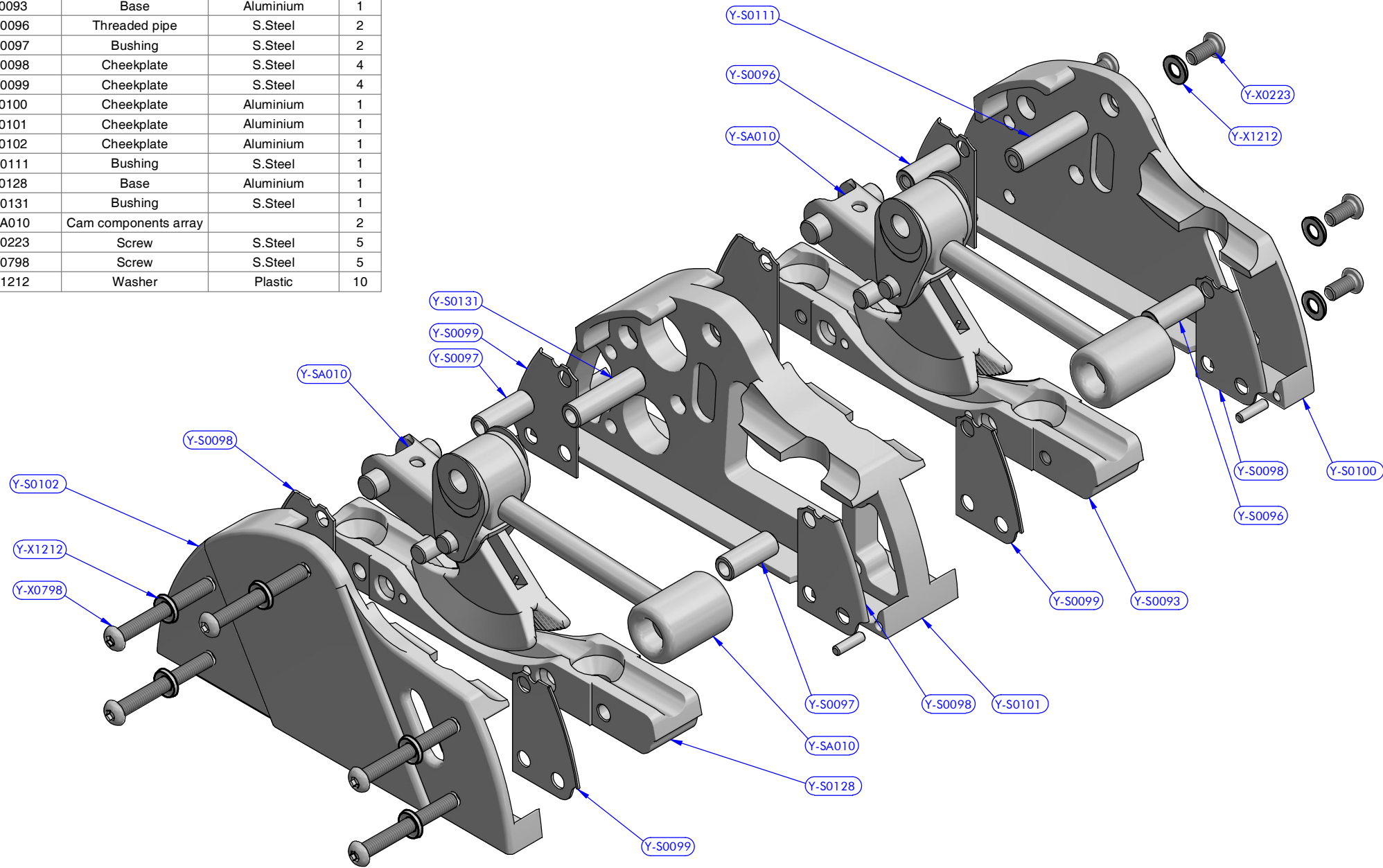

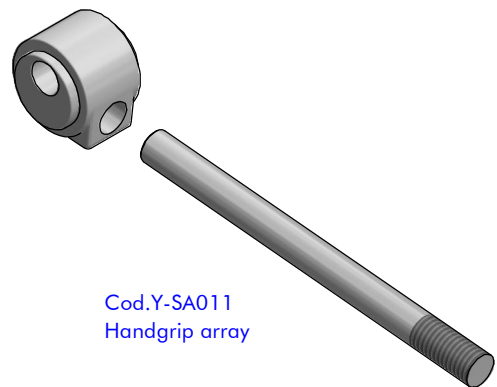
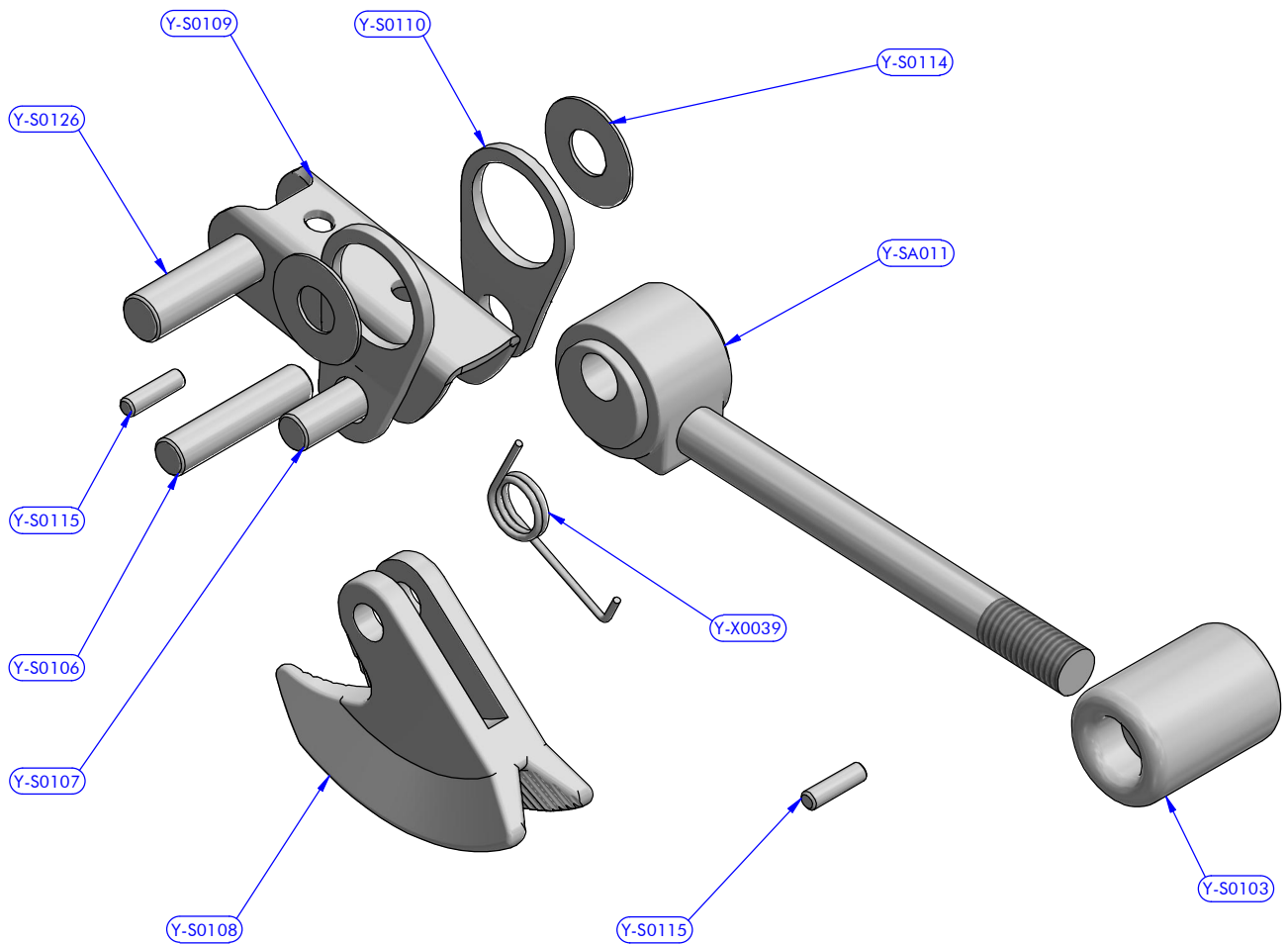


PART LIST

CODE	DESCRIPTION	MATERIAL	Q.TY
Y-S0093	Base	Aluminium	1
Y-S0096	Threaded pipe	S.Steel	2
Y-S0097	Bushing	S.Steel	2
Y-S0098	Cheekplate	S.Steel	4
Y-S0099	Cheekplate	S.Steel	4
Y-S0100	Cheekplate	Aluminium	1
Y-S0101	Cheekplate	Aluminium	1
Y-S0102	Cheekplate	Aluminium	1
Y-S0111	Bushing	S.Steel	1
Y-S0128	Base	Aluminium	1
Y-S0131	Bushing	S.Steel	1
Y-SA010	Cam components array		2
Y-X0223	Screw	S.Steel	5
Y-X0798	Screw	S.Steel	5
Y-X1212	Washer	Plastic	10



	V-Grip Plus series	Complete array	07/09/2020	00
	FAMILY	ARTICLE	DATE	REV.
Exploded view			20120900	1 / 1
DESCRIPTION			DWG N.	PG.
508.122P			MODEL CODE	



Cod.Y-SA011
Handgrip array

PART LIST

CODE	DESCRIPTION	MATERIAL	Q.TY
Y-S0103	Grip	Mekton	1
Y-S0106	Spindle	S.Steel	1
Y-S0107	Spindle	S.Steel	1
Y-S0108	V-Grip Cam	S.Steel	1
Y-S0109	V-cam bracket	S.Steel	1
Y-S0110	Connecting rod	S.Steel	2
Y-S0114	Washer	Mekton	2
Y-S0115	Spindle	S.Steel	2
Y-S0126	Spindle	S.Steel	1
Y-SA011	Handgrip array	Various	1
Y-X0039	Spring	S.Steel	1

antal

V-Grip Plus series Cam components array

FAMILY DESCRIPTION ARTICLE MODEL CODE

Y-SA010

21/10/2011 00

DATE REV. DWG N. PG.

20090707 /

Exploded view

MODEL CODE