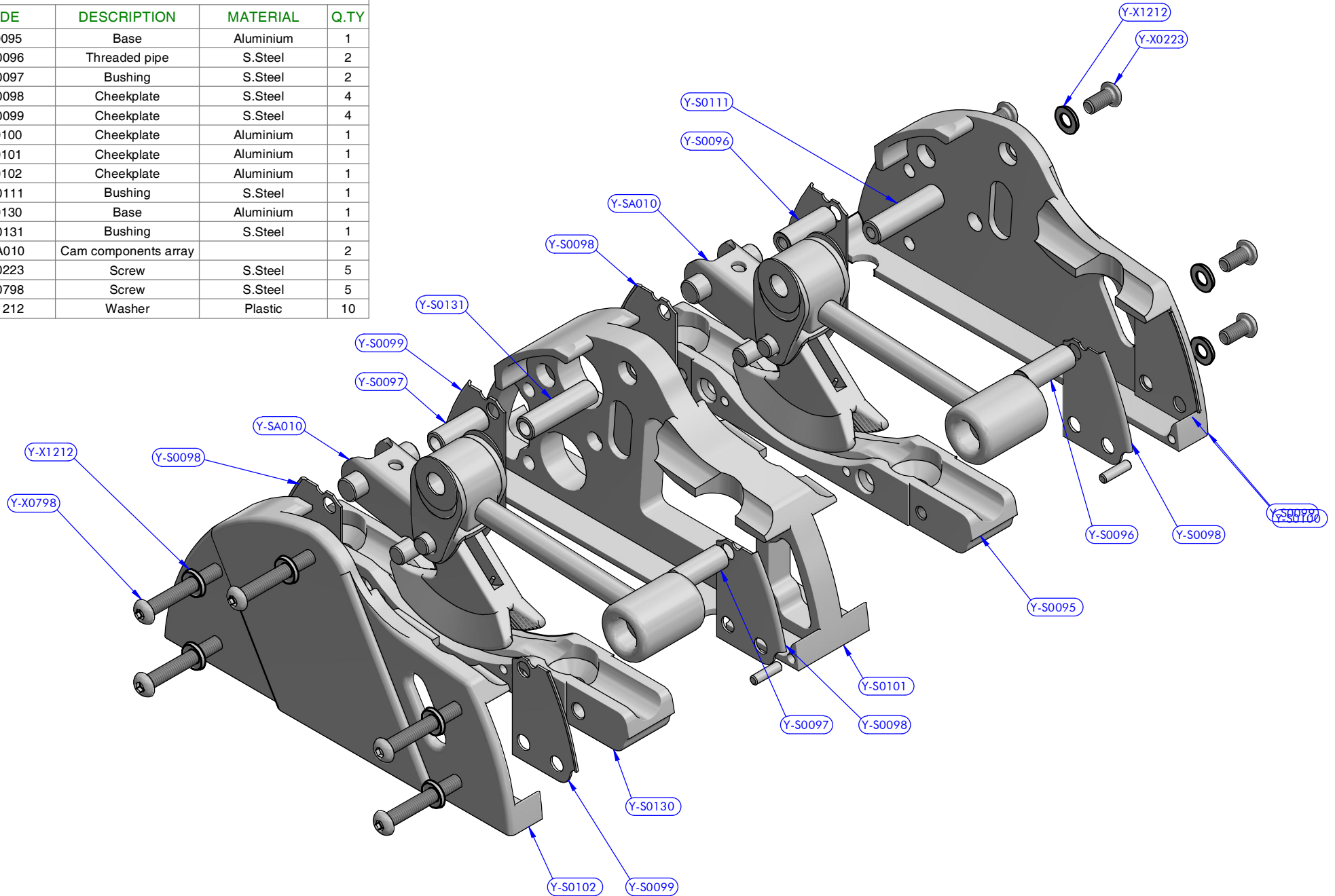


PART LIST

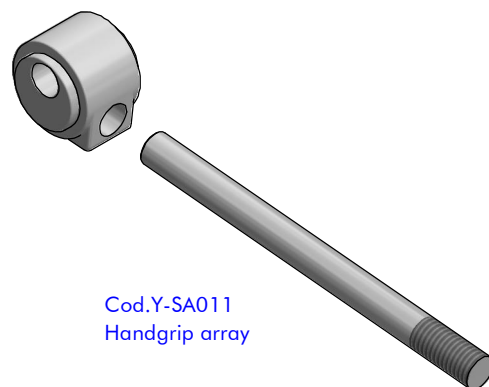
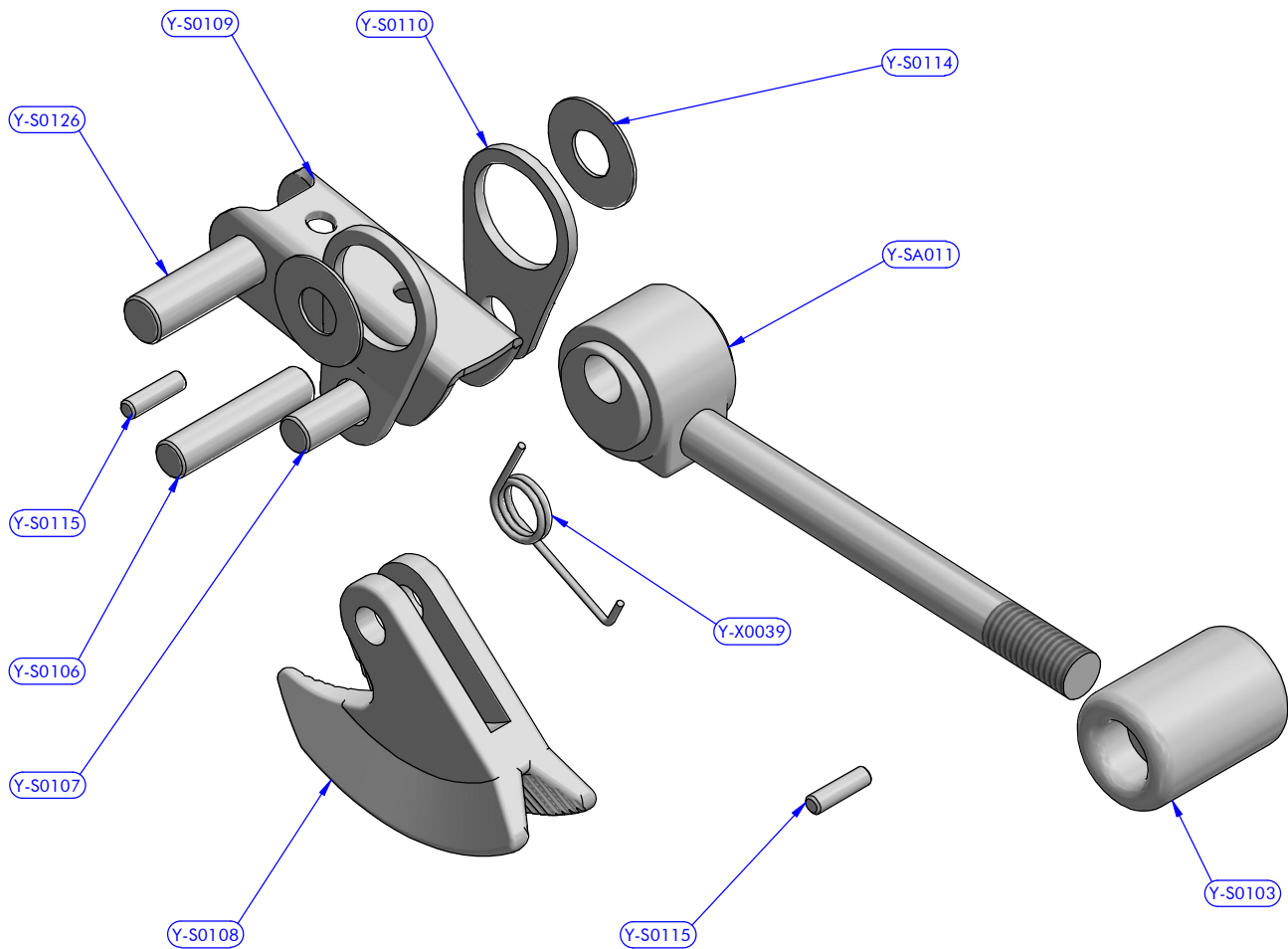
CODE	DESCRIPTION	MATERIAL	Q.TY
Y-S0095	Base	Aluminium	1
Y-S0096	Threaded pipe	S.Steel	2
Y-S0097	Bushing	S.Steel	2
Y-S0098	Cheekplate	S.Steel	4
Y-S0099	Cheekplate	S.Steel	4
Y-S0100	Cheekplate	Aluminium	1
Y-S0101	Cheekplate	Aluminium	1
Y-S0102	Cheekplate	Aluminium	1
Y-S0111	Bushing	S.Steel	1
Y-S0130	Base	Aluminium	1
Y-S0131	Bushing	S.Steel	1
Y-SA010	Cam components array		2
Y-X0223	Screw	S.Steel	5
Y-X0798	Screw	S.Steel	5
Y-X1212	Washer	Plastic	10



FAMILY	V-Grip Plus series	ARTICLE	Complete array
DESCRIPTION	Exploded view		

MODEL CODE	508.162
------------	---------

DATE	07/09/2020	REV.	00
DWG N.	20120913	PG.	1 / 1



Cod.Y-SA011  
Handgrip array

PART LIST

CODE	DESCRIPTION	MATERIAL	Q.TY
Y-S0103	Grip	Mekton	1
Y-S0106	Spindle	S.Steel	1
Y-S0107	Spindle	S.Steel	1
Y-S0108	V-Grip Cam	S.Steel	1
Y-S0109	V-cam bracket	S.Steel	1
Y-S0110	Connecting rod	S.Steel	2
Y-S0114	Washer	Mekton	2
Y-S0115	Spindle	S.Steel	2
Y-S0126	Spindle	S.Steel	1
Y-SA011	Handgrip array	Various	1
Y-X0039	Spring	S.Steel	1

**antal**

V-Grip Plus series  
FAMILY

Cam components array  
ARTICLE

Exploded view  
DESCRIPTION

**Y-SA010**  
MODEL CODE

21/10/2011 DATE	00 REV.
20090707 DWG N.	/ PG.