

Y-SA047

Y-SA052

PART LIST			
CODE	DESCRIPTION	MATERIAL	Q.TY
Y-SA052	Base mounting kit	Various	1
Y-SA047	Common part assy	Various	1

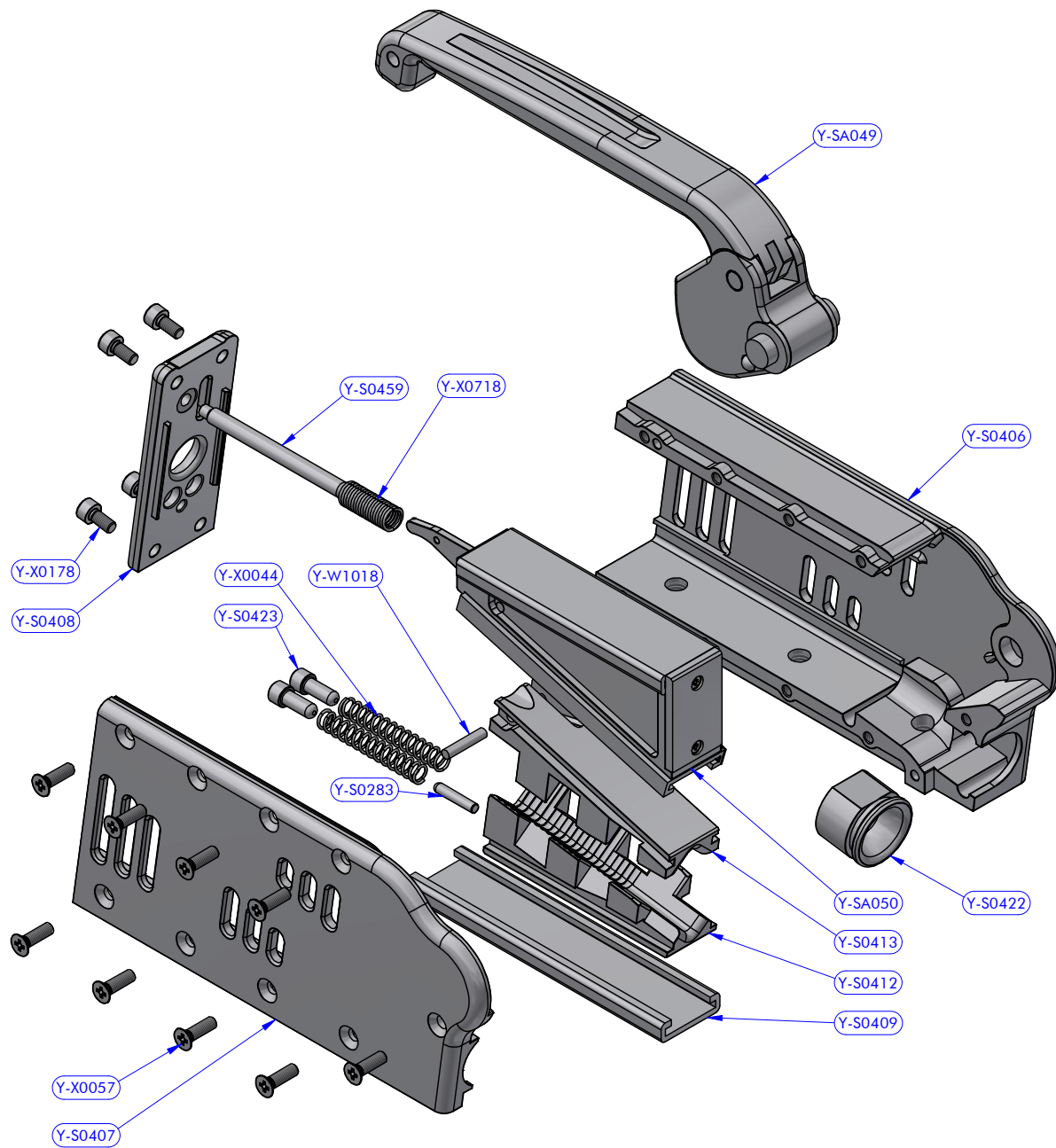


Clutch QR14 Side mounting version  
DESCRIPTION

**506.143**  
MODEL CODE

11/09/2023  
DATE  
23091119  
DWG N.

REV.  
1 / 3  
PG.

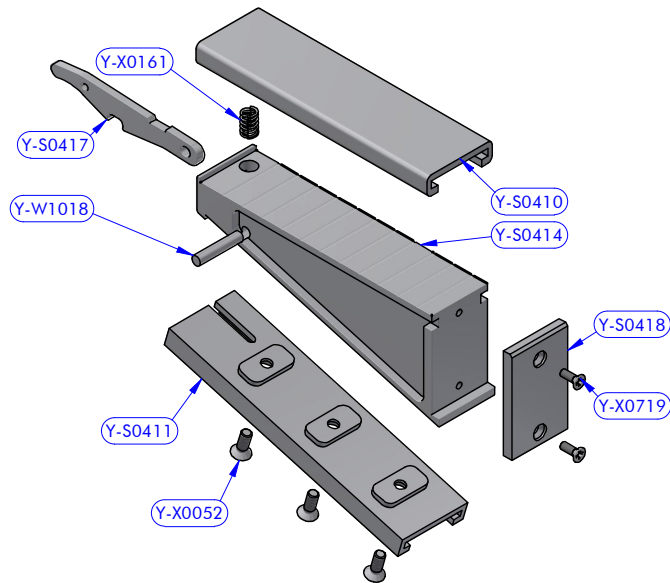
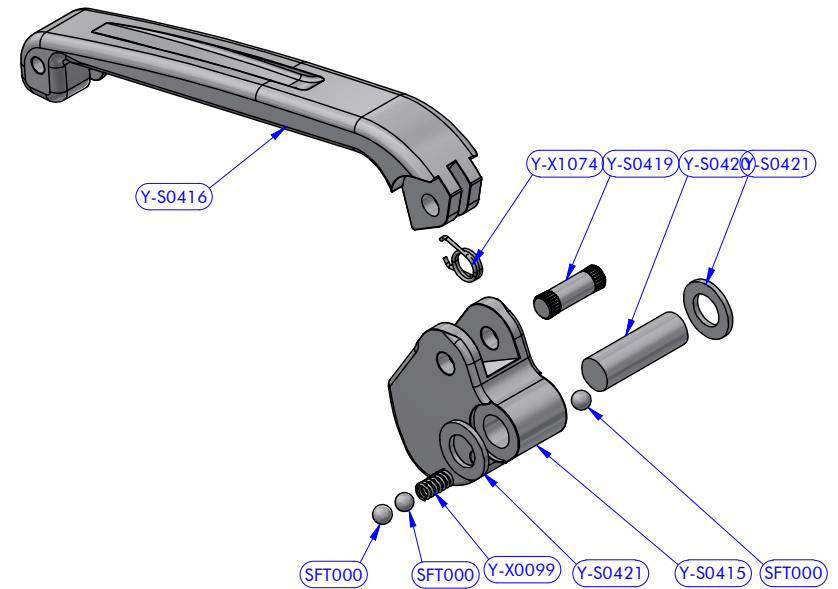


Cod.Y-SA047  
Common part assy QR14

PART LIST - Y-SA047			
CODE	DESCRIPTION	MATERIAL	Q.TY
Y-S0283	Free line mark	Aluminium	1
Y-S0406	Body	Aluminium	1
Y-S0407	Cheekplate	Aluminium	1
Y-S0408		Aluminium	1
Y-S0409	Guide	Polietilene	1
Y-S0412	n.d.	Aluminium	1
Y-S0413	Upper jaw	Aluminium	1
Y-S0422	Ring	Aluminium	1
Y-S0423	Pin	S.Steel	2
Y-S0459	Pin	S.Steel	1
Y-SA049	Lever assy	Various	1
Y-SA050	Base module	Various	1
Y-W1018	Cylinder pin	S.Steel	1
Y-X0044	Compression spring	S.Steel	2
Y-X0057	Screw	S.Steel	9
Y-X0178	Screw	S.Steel	4
Y-X0718	Compression spring	S.Steel	1

Cod.Y-SA049  
Lever assy QR14

PART LIST - Y-SA049			
CODE	DESCRIPTION	MATERIAL	Q.TY
SFT000	Torlon ball	Torlon	3
Y-S0415	Cam	Aluminium	1
Y-S0416	Lever	Aluminium	1
Y-S0419	Cylinder pin	S.Steel	1
Y-S0420	Cylinder pin	S.Steel	1
Y-S0421	Washer	Mekton	2
Y-X0099	Compression spring	S.Steel	1
Y-X1074	Torsion spring	S.Steel	1



Cod.Y-SA050  
Base module QR14 Wedge

PART LIST - Y-SA050			
CODE	DESCRIPTION	MATERIAL	Q.TY
Y-S0410	Guide	Composite fibre	1
Y-S0411	Guide	Polietilene	1
Y-S0414	Wedge	Aluminium	1
Y-S0417	Blade	S.Steel	1
Y-S0418	Pad	Composite fibre	1
Y-W1018	Cylinder pin	S.Steel	1
Y-X0052	Screw	S.Steel	3
Y-X0719	Screw	S.Steel	2
Y-X0161	Compression spring	S.Steel	1

Cod.Y-SA052  
Base horizontal mounting kit QR14

PART LIST - Y-SA052			
CODE	DESCRIPTION	MATERIAL	Q.TY
Y-LA030	Fixing screw kit	S.Steel	2
Y-S0425	Base	Aluminium	1
Y-X0254	Screw	S.Steel	3

