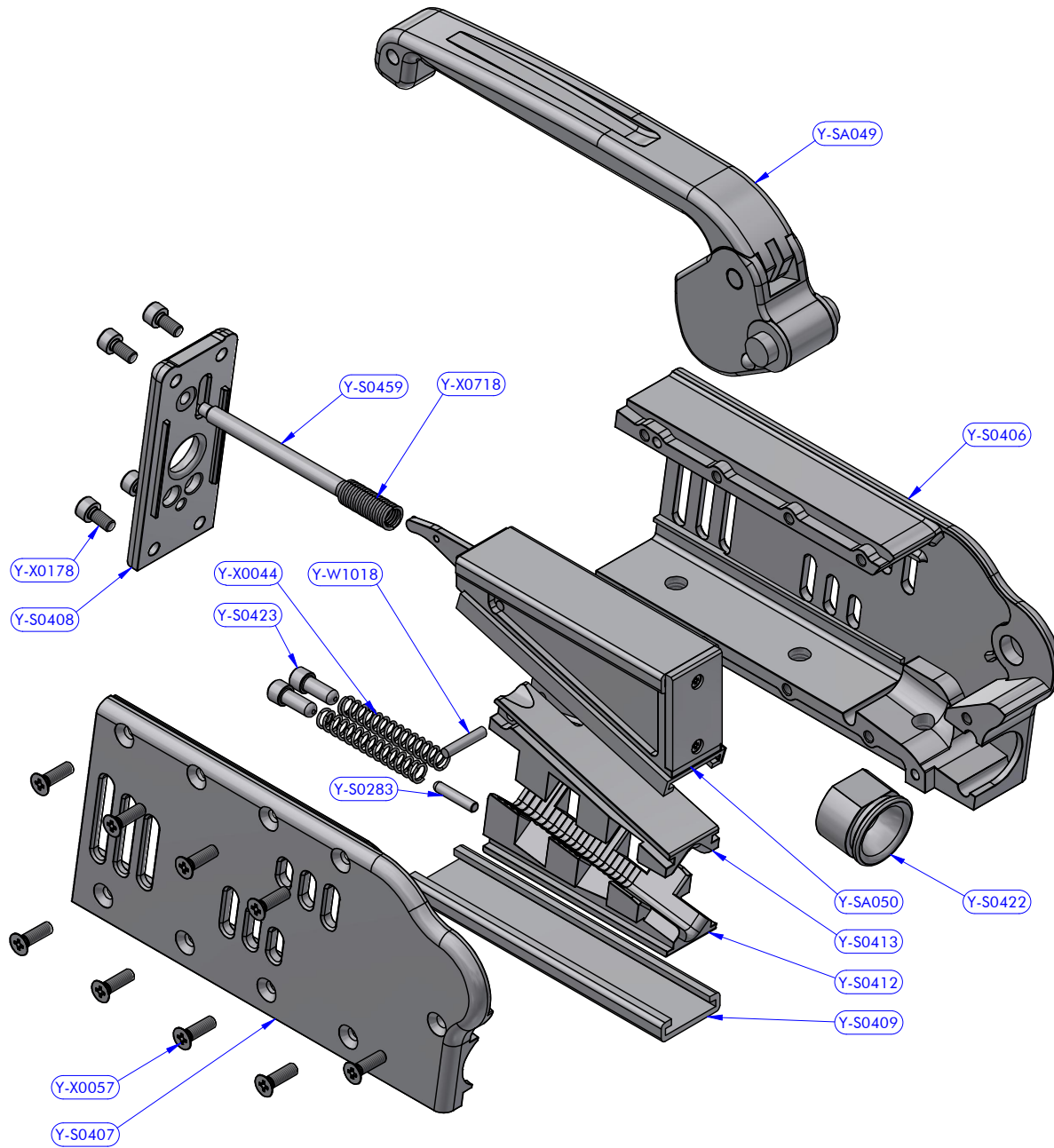


PART LIST			
CODE	DESCRIPTION	MATERIAL	Q.TY
Y-SA047	Common part assy	Various	1
Y-SA051	Base mounting kit	Various	1



Cod. **Y-SA047**
Common part assy QR14

PART LIST - Y-SA047			
CODE	DESCRIPTION	MATERIAL	Q.TY
Y-S0283	Free line mark	Aluminium	1
Y-S0406	Body	Aluminium	1
Y-S0407	Cheekplate	Aluminium	1
Y-S0408		Aluminium	1
Y-S0409	Guide	Polietilene	1
Y-S0412	n.d.	Aluminium	1
Y-S0413	Upper jaw	Aluminium	1
Y-S0422	Ring	Aluminium	1
Y-S0423	Pin	S.Steel	2
Y-S0459	Pin	S.Steel	1
Y-SA049	Lever assy	Various	1
Y-SA050	Base module	Various	1
Y-W1018	Cylinder pin	S.Steel	1
Y-X0044	Compression spring	S.Steel	2
Y-X0057	Screw	S.Steel	9
Y-X0178	Screw	S.Steel	4
Y-X0718	Compression spring	S.Steel	1



QR14 clutch with base

506.146

08/09/2023

DATE REV.

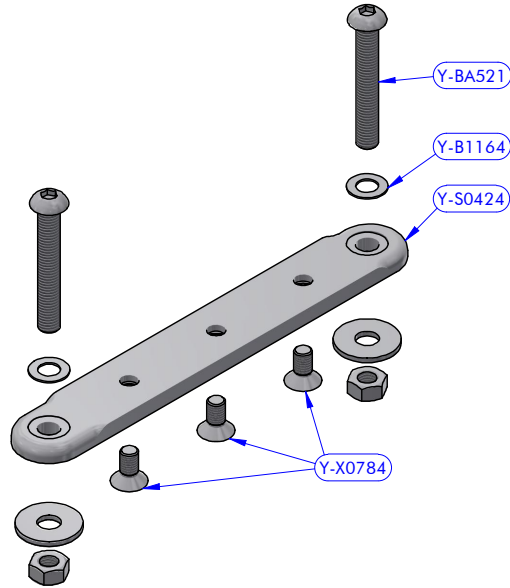
23090815

DWG N. PG.

2 / 3

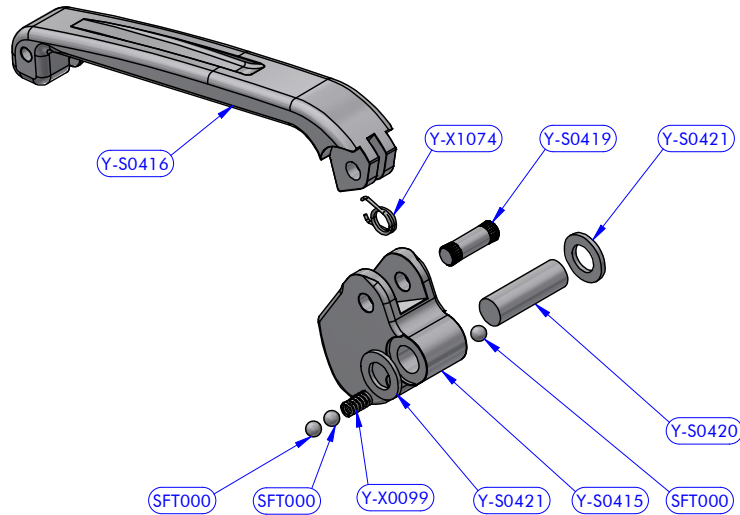
DESCRIPTION

MODEL CODE



Cod.Y-SA051
Base Upper mounting kit QR14

PART LIST - Y-SA051			
CODE	DESCRIPTION	MATERIAL	Q.TY
Y-B1164	S.Steel washer	S.Steel	2
Y-BA521	Fixing screw kit	S.Steel	2
Y-S0424	Base	Aluminium	1
Y-X0784	Screw	S.Steel	3



Cod.Y-SA049
Lever assy QR14

PART LIST - Y-SA049			
CODE	DESCRIPTION	MATERIAL	Q.TY
SFT000	Torlon ball	Torlon	3
Y-S0415	Cam	Aluminium	1
Y-S0416	Lever	Aluminium	1
Y-S0419	Cylinder pin	S.Steel	1
Y-S0420	Cylinder pin	S.Steel	1
Y-S0421	Washer	Mekton	2
Y-X0099	Compression spring	S.Steel	1
Y-X1074	Torsion spring	S.Steel	1



QR14 clutch with base

506.146

08/09/2023

DATE REV.

23090815

DWG N. PG.

3 / 3

DESCRIPTION

MODEL CODE