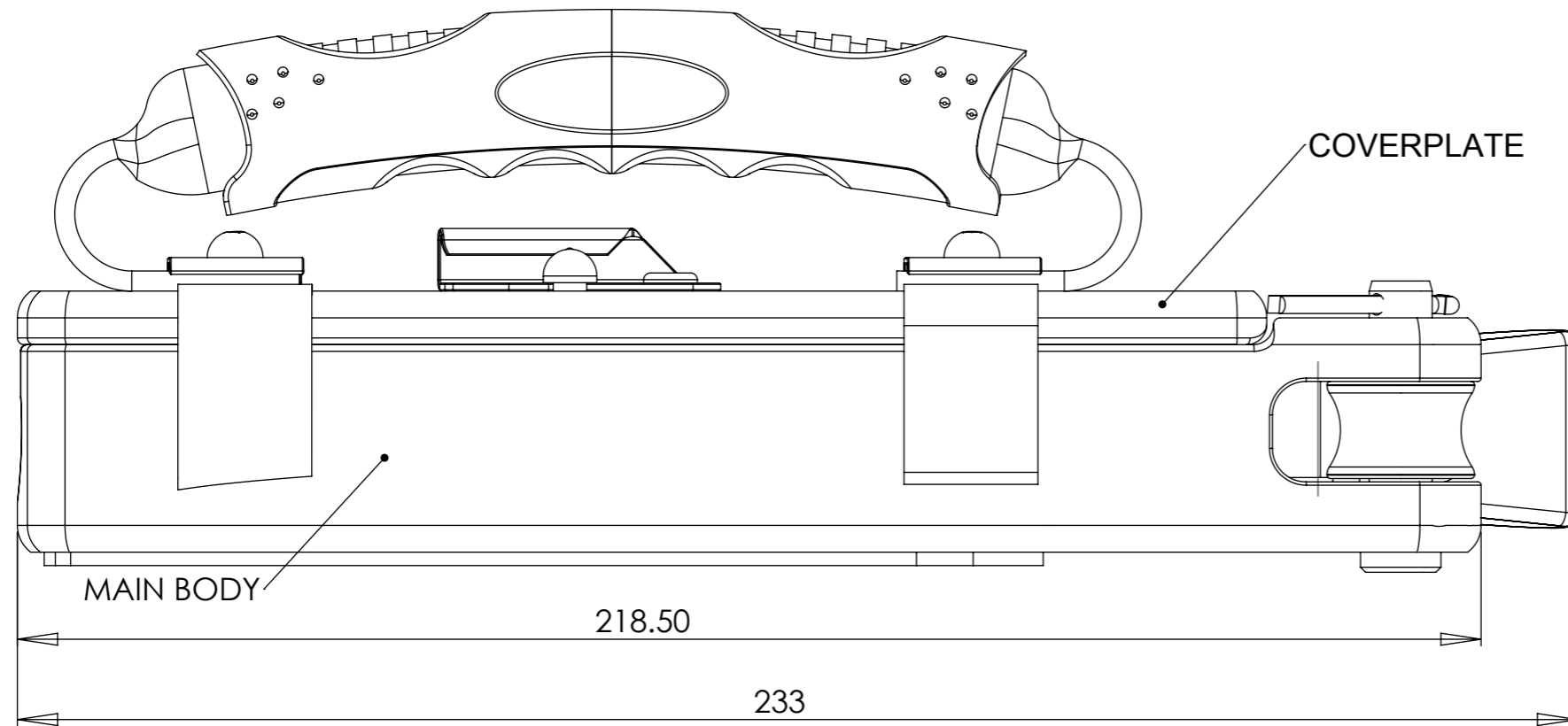


spinlock

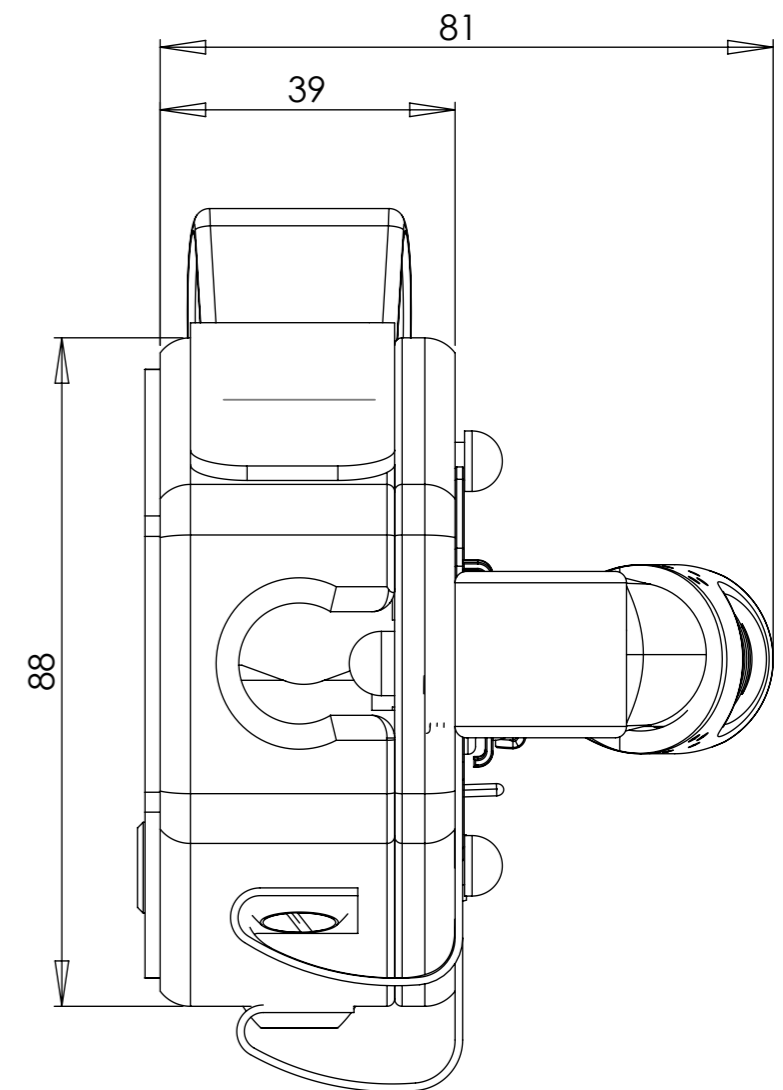
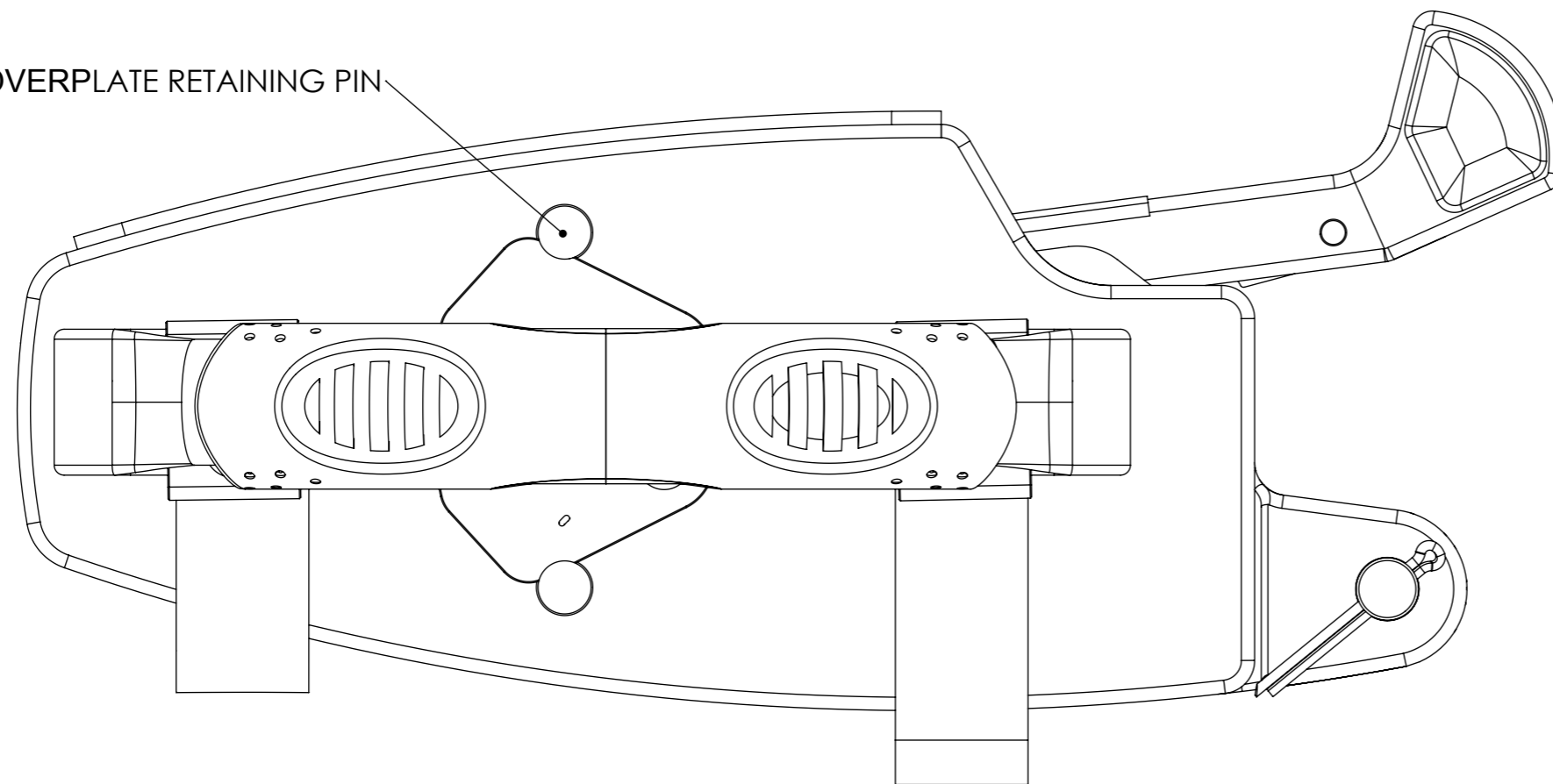
SPINLOCK REFERENCE

ZS1014 OPEN

SCALE 1:1
ALL DIMENSIONS IN mm



COVERPLATE RETAINING PIN



ZS1014 OPEN GA
OVERALL DIMENSIONS FOR BODY