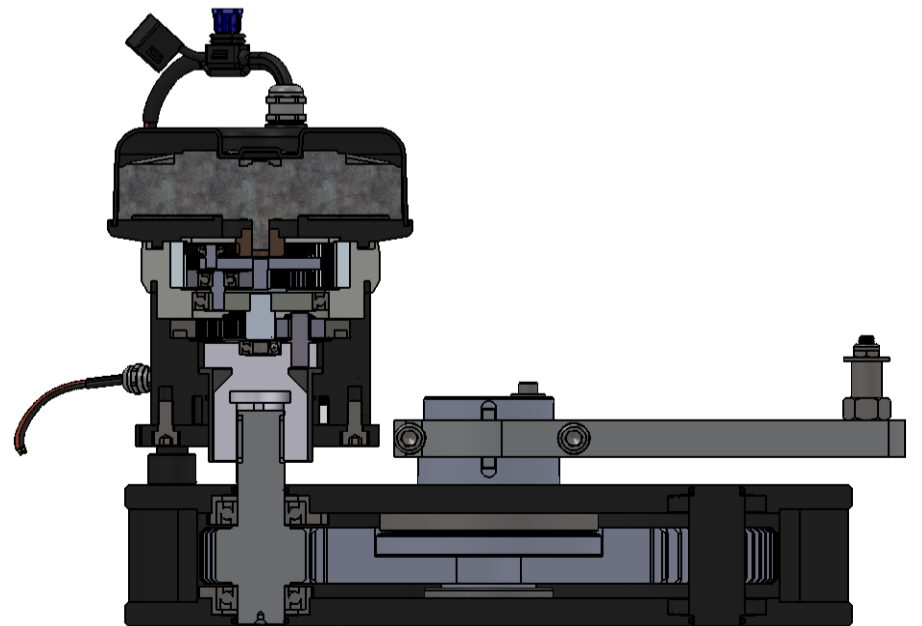



SECTION A-A



SECTION B-B

DWG NR / NAME: DU-DD3-24 / Autopilot drive				BATCH NR:		 JEFA STEERING ApS AGENAVEJ 43 2670 GREVE. DENMARK Tlf: +45 4615 5210 & Fax: +45 4369 5211 Email: info@jefa.com www.jefa.com
PROJECT: Direct drive unit				REKV.NR / ORDRE NR:		
DATE: 05-03-2009	NAME: KJ	SCALE / PAPER: 1:4 / A3	MATERIAL: WEIGHT:	LOCATION: g	ORDRE DATO:	
MODIFY DATE: : /				REV:	LEV.DATO:	