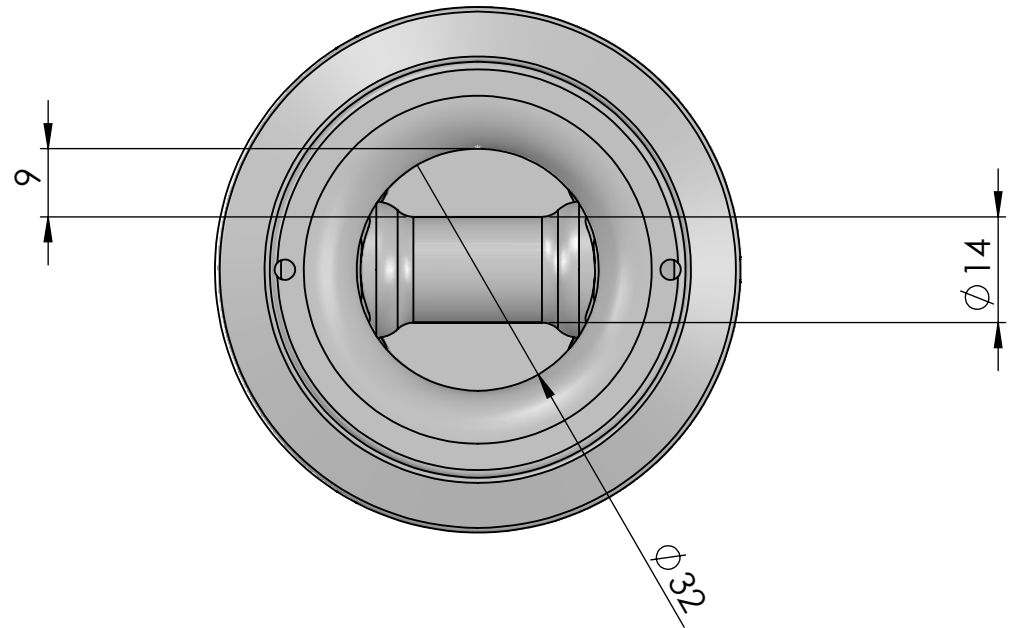
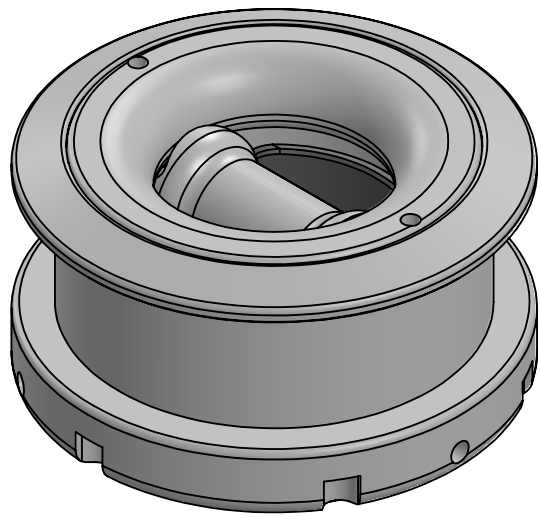



SECTION A-A



Max working load: 3000kg
Weight: 630g



	Data Sheet
Model	FPD3t-x
Line	 ACCESSORIES
Format size	A4
<small>This document and the design on it is the exclusive property of Ubi Maior Italia and is the subject of copyright. Brand by Dini s.r.l., Meccanica di precisione</small>	UBI MAIOR ITALIA