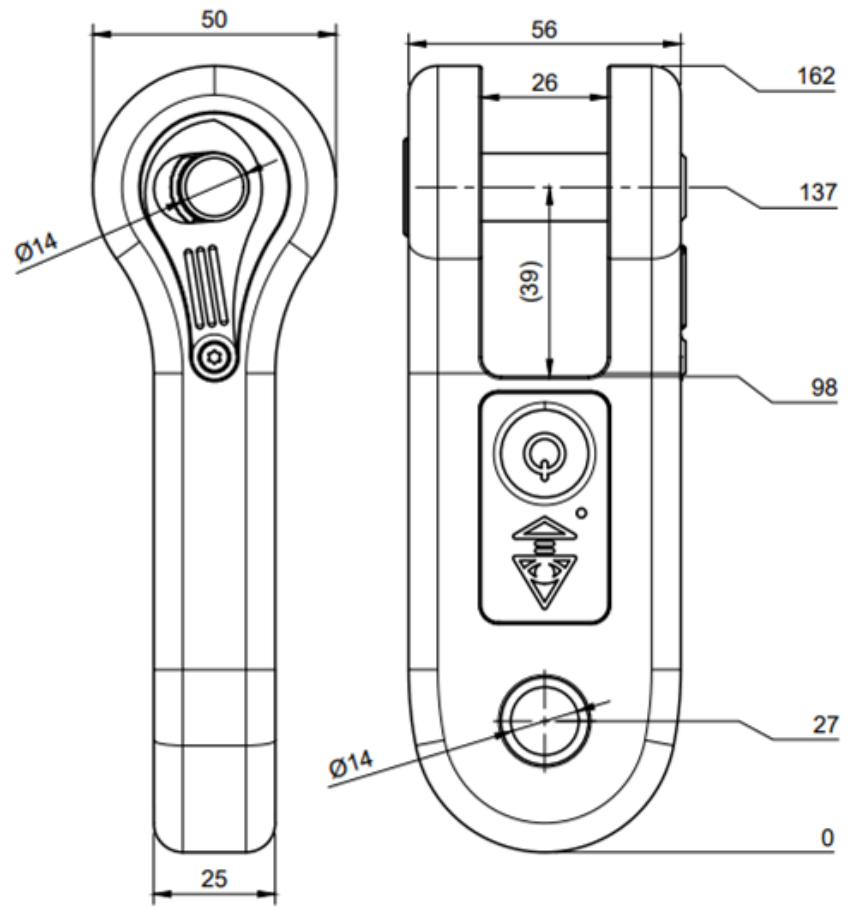


4.5t
FE02



7t
FE03



Part Number	FE02	FE03
Calibrated Load	4.5t	7t
Break Load	10t	11.5t
Weight	300g	610g

Cyclops Marine
Unit 25 Tynes Slipway
Portsmouth
PO6 4TR

Project	smarttoggle	
Title	Range envelope drawing	Rev.
Part	FE02, FE03	
Finish	Natural gray anodise	

Drawn	MW	Date	08/08/2022
Approved		Date	
Issue		Date	
Material	6062 T6 Aluminium		
Dimensions	mm, degrees		
Tolerance	unless stated: 0.1mm, 0.1°		
© Cyclops Marine Limited. All rights reserved. Reproduction, use and dissemination of this drawing may only be undertaken with the prior consent of Cyclops Marine Limited. Do not scale.			