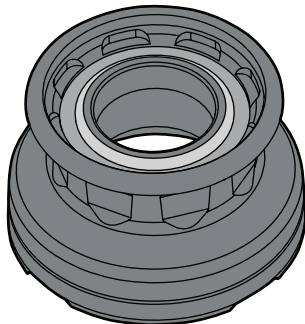


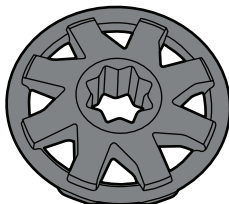
## TABLE OF CONTENTS

|   |          |
|---|----------|
| <b>MANUAL TEXT</b> .....                            | <b>2</b> |
| 1. Safety Information.....                          | 2        |
| 2. Features .....                                   | 2        |
| 3. Specifications<br>and Dimensions .....           | 2        |
| 4. Planning Installation -<br>Deck Strength.....    | 2        |
| 5. Installing SnubbAir .....                        | 2        |
| 6. Installing Optional Winch<br>Handle Adapter..... | 3        |
| 7. Use .....  | 3        |
| 8. Inspection and Maintenance .....                 | 3        |
| 9. Warranty.....                                    | 3        |
| 10. SnubbAir Mounting Template .....                | 3        |
| <b>DIAGRAMS</b> .....                               | <b>4</b> |

1300 SnubbAir



Optional 1301 winch handle adapter



PLEASE SAVE THESE INSTRUCTIONS

# MANUAL TEXT

## 1. Safety Information



### WARNING!

Strictly follow all instructions to avoid an accident, damage to your vessel, personal injury, or death.

See [www.harken.com/manuals](http://www.harken.com/manuals) for additional safety information.

## 2. Features

- Line holding large diameter snubber – can replace winches; greater holding power than ratchet blocks
- Low profile and rounded corners – easy on crews aboard a pitching boat
- Integral mounting studs – fast mounting, matches hole pattern of Harken B8A winch
- Optional winch handle adapter – use conventional winch handle for winch-like operation
- Lightweight with open center – less than half the weight of a winch

## 3. Specifications and Dimensions

| Callout | Description   |
|---------|---|
| 1       | Part number   |
| 2       | Description   |
| 3       | Maximum holding load  |
| A       | Mounting fastener circle (bottom view). See SNUBBAIR MOUNTING TEMPLATE on page 7. |

| Callout | Description              |
|---------|--------------------------|
| B       | Drum $\emptyset$         |
| C       | Sleeve depth             |
| D       | Thread start             |
| E       | Stud depth               |
| F       | Boss $\emptyset$         |
| G       | Thread size              |
| H       | Washer and nut depth     |
| I       | Base $\emptyset$         |
| J       | Drum height              |
| K       | Drum height with adapter |

## 4. Planning Installation - Deck Strength



### WARNING!

You must mount to solid deck construction using specified fasteners in all mounting holes and nuts, washers or backing plates to achieve correct maximum working load to avoid a failure leading to an accident.

Determine if deck is strong enough for mounting the SnubbAir. Make sure all four fasteners are through bolted using washers or backing plates and nuts. Cored decks must have solid inserts such as G-10 plates sized to distribute the load. Tapped holes will not work for installing SnubbAir.

## 5. Installing SnubbAir

See SPECIFICATIONS AND DIMENSIONS on page 4. The studs on the SnubbAir are integral to

the base and are not removable. There are bosses (F) extending below the base and these are a larger diameter than the 6 mm threaded studs (G).

1. Use the template to drill holes.
2. Put slight bevel at top of hole to allow sealant to mass around upper part of hole.
3. Install SnubbAir using sealant in holes. Use supplied washers and nuts or suitable alternatives.

## 6. Installing Optional Winch Handle Adapter

1. Line up adapter with sockets.
2. Secure adapter by pressing the retaining ring into the groove.

## 7. Use

The SnubbAir provides line-holding power much like a ratchet except much more. It is perfect for spinnaker trimming. With a couple wraps of sheet on the drum, the trimmer can hold upwards of 500 lbs with just thirty pounds of holding power on the tail. The sheet easily flips off the drum for a gybe.

## 8. Inspection and Maintenance

Periodically inspect SnubbAir and fasteners for wear, corrosion, and loosening. Tighten or replace as necessary.

**IMPORTANT! Do not remove ring and lift drum to service SnubbAir. Balls will be lost. Leave assembled and flush as directed in this manual.**

Every time you rinse the deck, flush the bearings and pawls with fresh water.

Make a solution of detergent and water and periodically squirt it in the slot between the drum and the center hub while rotating the drum.

Rinse with fresh water while rotating the drum.

## 9. Warranty

Refer to the Harken Worldwide Limited Warranty at <https://www.harken.com/en/worldwide-limited-professional-customer-warranty/>.

## 10. SnubbAir Mounting Template

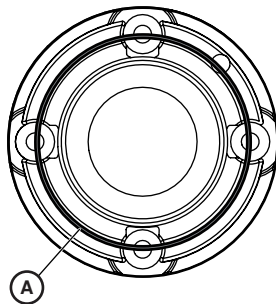
**IMPORTANT! If you print this template from a computer file, measure to verify template is the correct size before drilling. Use SnubbAir base diameter dimension below to check diameter on printed paper.**

Use base diameter dimension (Ø) to check diameter on printed paper.

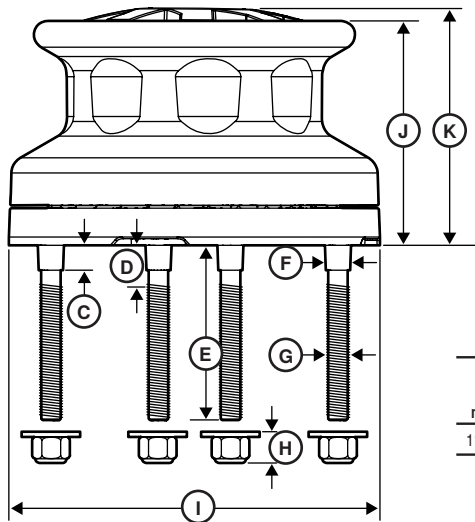
# DIAGRAMS

## 3. Specifications and Dimensions

| 1    |                      | 2     |     | 3  |    |
|------|----------------------|-------|-----|----|----|
|      |                      |       |     | lb | kg |
| 1300 | SnubbAir             | 1,000 | 454 |    |    |
| 1301 | Winch handle adapter | -     | -   |    |    |



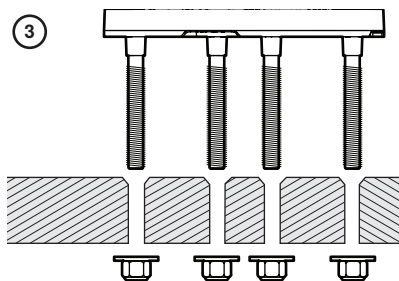
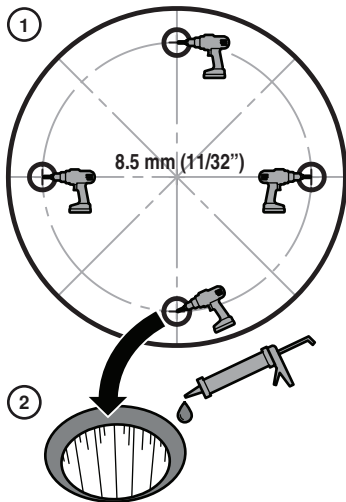
| A    |       |
|------|-------|
| mm   | in    |
| 90.7 | 3.570 |



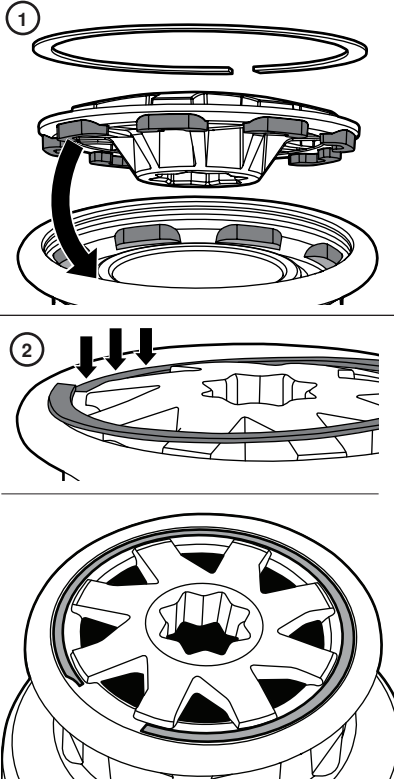
| I     |      | J    |       | K    |       |
|-------|------|------|-------|------|-------|
| mm    | in   | mm   | in    | mm   | in    |
| 113.8 | 4.48 | 68.8 | 2.707 | 71.7 | 2.823 |

| B    |      | C   |       | D    |       | E    |       | F  |       | G      | H   |       |
|------|------|-----|-------|------|-------|------|-------|----|-------|--------|-----|-------|
| mm   | in   | mm  | in    | mm   | in    | mm   | in    | mm | in    |        | mm  | in    |
| 79.2 | 3.12 | 7.6 | 0.300 | 10.7 | 0.421 | 53.7 | 2.114 | 8  | 0.312 | M6X1.0 | 9.6 | 0.377 |

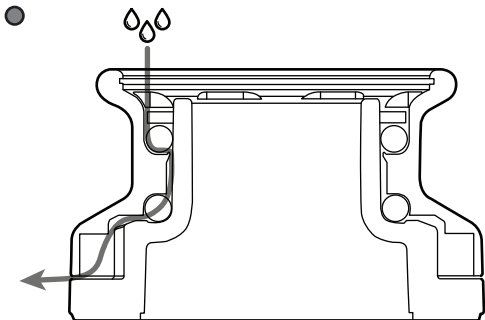
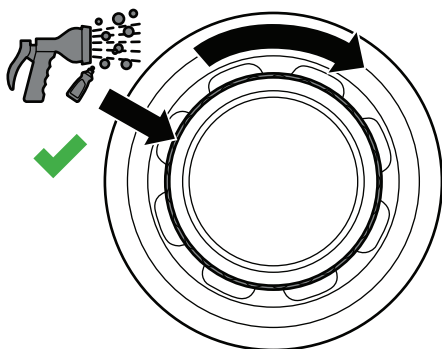
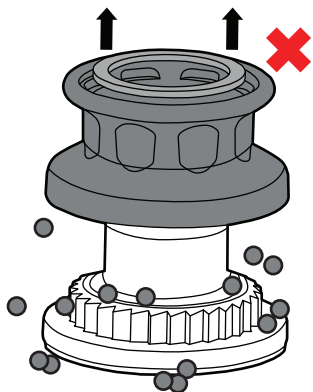
## 5. Installing SnubbAir

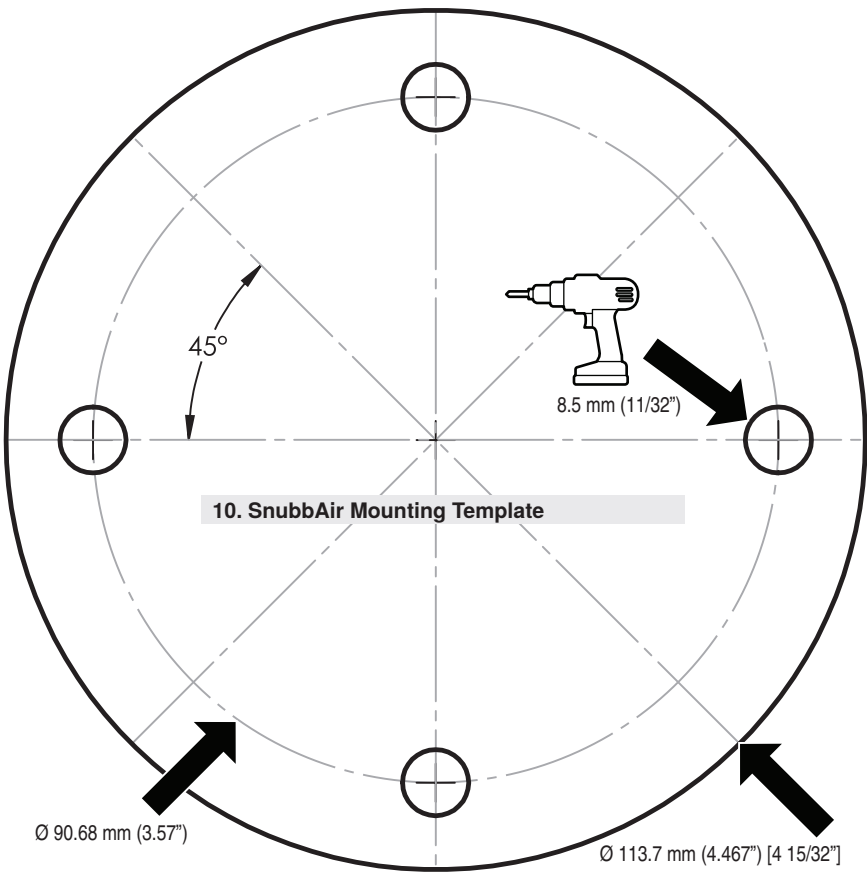


## 6. Installing Optional Winch Handle Adapter



## 8. Inspection and Maintenance





# **HARKEN®**

***Country of Manufacture - USA***

***Manufacturer - Harken, Inc.***

N15W24983 Bluemound Rd., Pewaukee, WI 53072-4974 USA

Telephone: +1 262 691-3320, Fax: +1 262 701-5780

Web: [www.harken.com](http://www.harken.com)

Email: [harken@harken.com](mailto:harken@harken.com)

5259A 11/2024