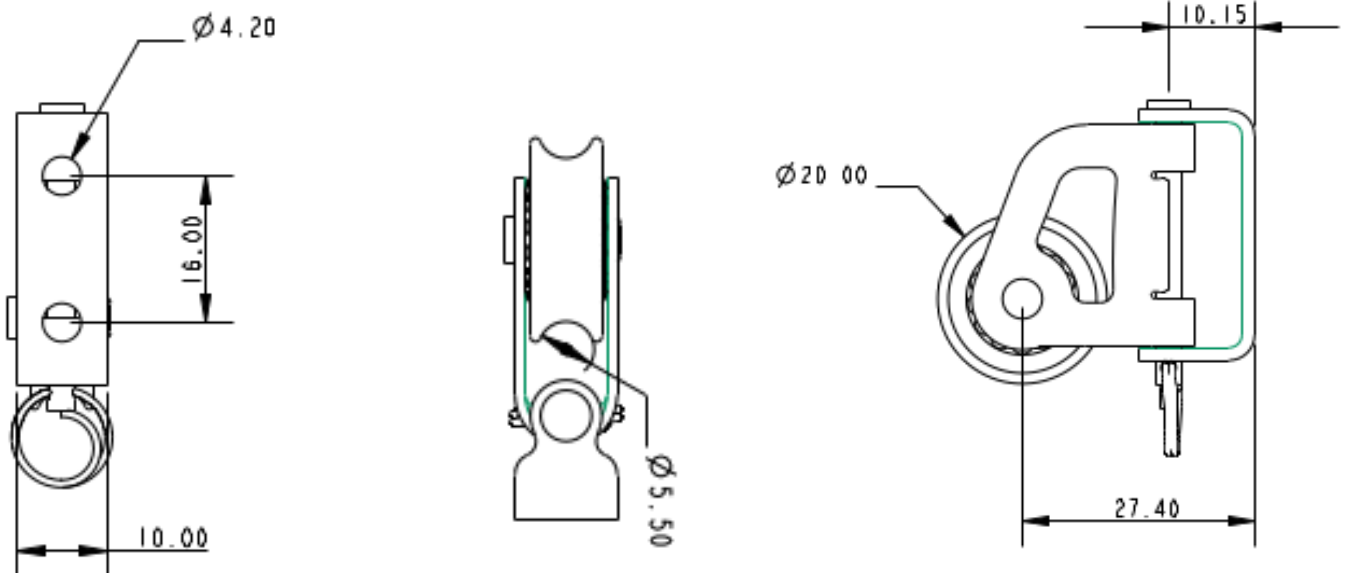


A2123



- Product Description: Flip Flop Block
- Sheave Diameter: 20mm
- Max Line Diameter: 5mm
- Fixing Hole Centres: 16mm
- Fixing Hole Size: 4mm
- Breaking Load: 350Kg
- Maximum Working Load: 105Kg
- Weight: 19g



Details: A 20mm ball bearing sheave riveted to a stainless steel frame which can move through 180 degrees. The body is fixed to the backing plate with a removable clevis pin for easy removal and installation.