

8 7 6 5 4 3 2 1

F

F

E

E

D

D

C

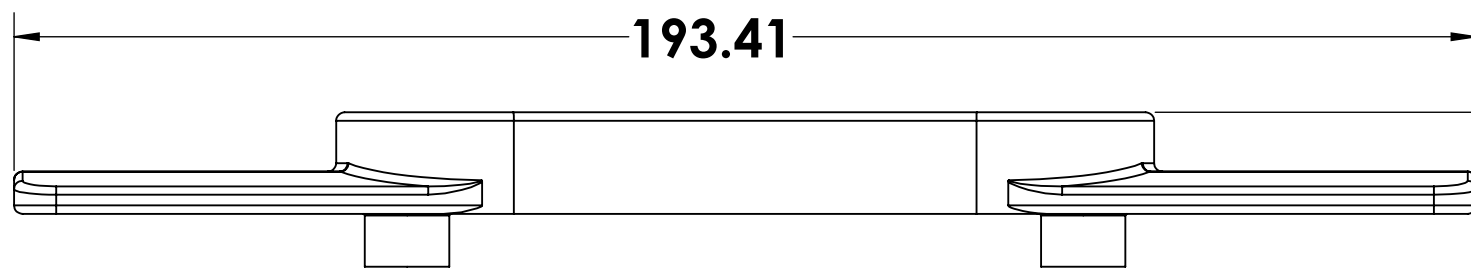
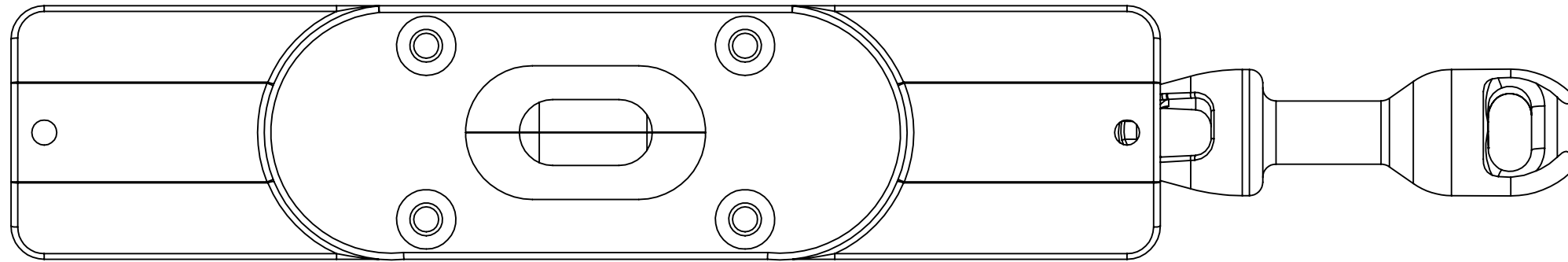
C

B

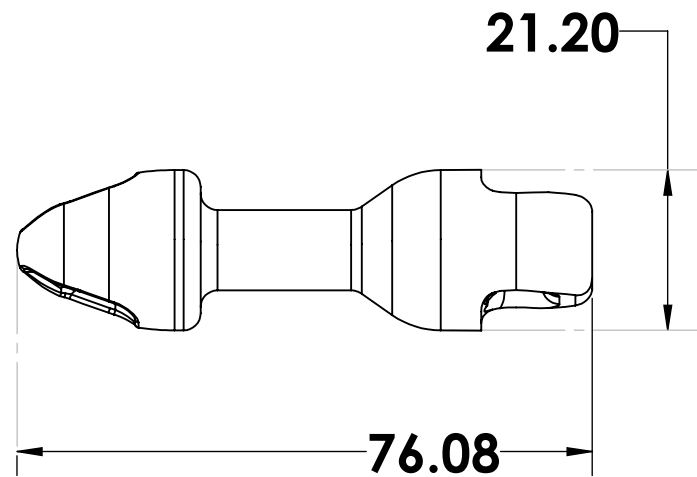
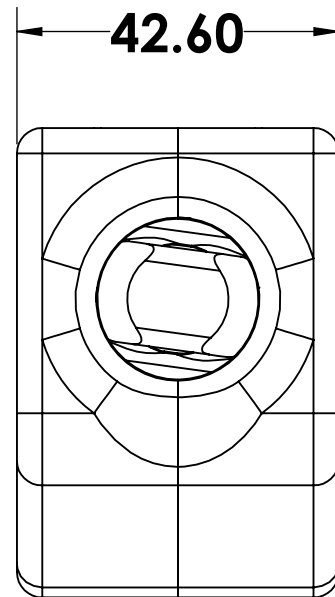
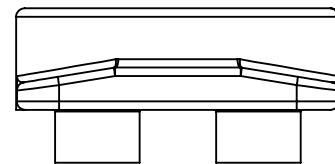
B

A

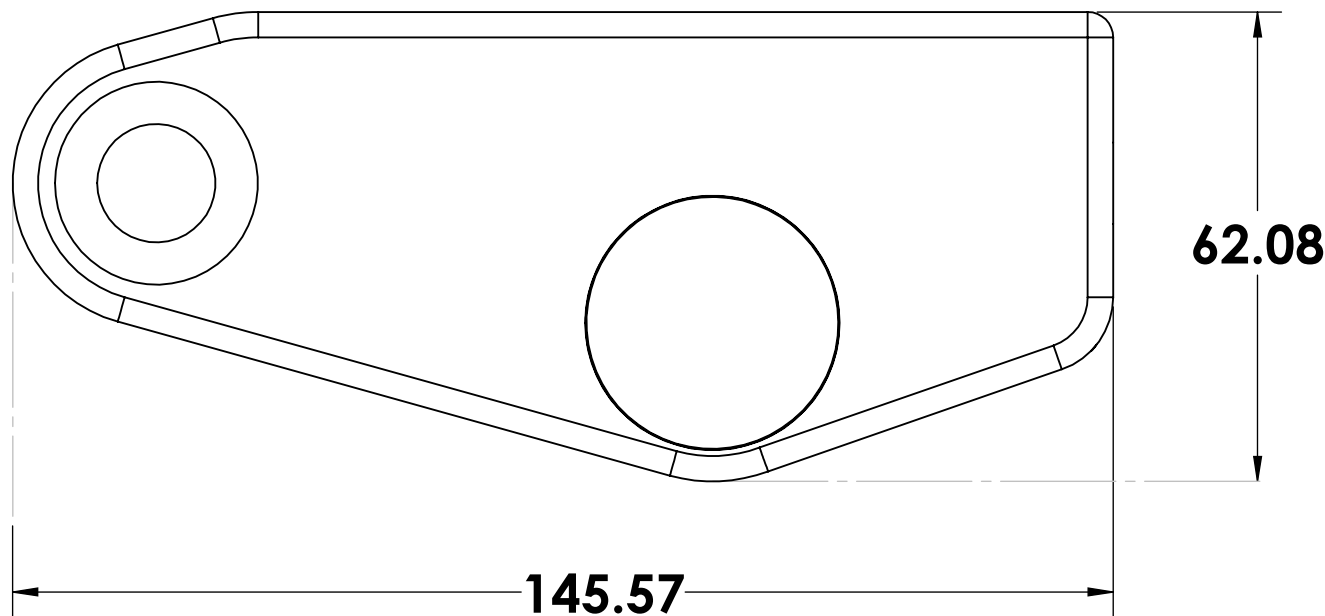
A



Mast Plate Weight = 179 g



Bullet Weight = 56 g



Blocklock Weight = 821 g

UNLESS OTHERWISE SPECIFIED: DIMENSIONS ARE IN MILLIMETERS SURFACE FINISH: TOLERANCES: LINEAR: ANGULAR:			FINISH:		DEBURR AND BREAK SHARP EDGES		DO NOT SCALE DRAWING		REVISION		
DRAWN						TITLE: AM5 BL, IL					
CHK'D						DWG NO.					
APPV'D						SCALE:1:2					
MFG						SHEET 1 OF 1					
Q.A						A3					
WEIGHT:						SHEET 1 OF 1					

8 7 6 5 4 3 2 1