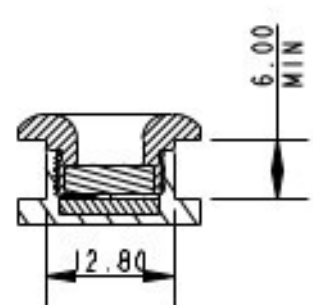
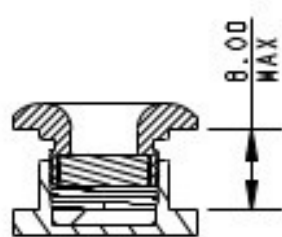


A8639-6



- Product Description: Pad-Tii
- Distance Between Flats: 18mm
- Outside Diameter: 19mm
- Fixing Hole Diameter: 12.80mm
- Fixing Hole Depth Minimum: 6mm
- Fixing Hole Depth Maximum: 8mm
- Breaking Load: 350Kg
- Maximum Working Load: 250Kg



Details: We have continued with the development of our range of deck bushes with this range of through deck pad eyes that incorporate a Tii attachment.

A number of similar current products from other companies require the integral pad and associated tie on rope to be permanently bonded to a surface, which doesn't readily allow replacement of worn rope.

We have incorporated an ingenious removable attachment pin to allow the user to replace the tii on rope as it wears. Simply unscrew the upper insert, push down on the tii on rope and remove the stainless steel crossbar. Install your replacement rope by pushing through the hole in the centre of the upper insert, slide the pin into place retaining the rope and screw the upper insert back into the deck.

The lower insert is enclosed ensuring the design is watertight and the two parts have flats so they can be tightened and undone with simple tools.